



MAXIVIB

Spare parts list

High frequency poker vibrators

	Valid from serial number
MAXI VH29	FRO019782
MAXI VH39	FRO019737
MAXI VH49	FRO019747
MAXI VH59	FRO019757



DALMEX

TREMIX®

www.dalmex.net

www.dalmex.net

www.dalmex.net

www.dalmex.net



Contents

Contents	3
General information	4
Spare parts list	5
MAXI VH29 vibrator tube.....	5
MAXI VH39 Vibrator tube.....	7
MAXI VH49 Vibrator tube.....	9
MAXI VH59 Vibrator tube.....	11
MAXI FS flexible shafts.....	13
Maintenance kits	15
Bearings kit.....	15



General information

This spare parts list contains spare parts for pokers and shafts, for other parts see the original spare parts list 9800 1310 01.

This spare parts list applies to the following:

Part number	Description
4812 0505 42	High frequency poker MAXI VH29
4812 0505 43	High frequency poker MAXI VH39
4812 0505 44	High frequency poker MAXI VH49
4812 0505 45	High frequency poker MAXI VH59
4812 0505 46	Flexible shaft MAXI FS10
4812 0505 47	Flexible shaft MAXI FS20
4812 0505 48	Flexible shaft MAXI FS30
4812 0505 49	Flexible shaft MAXI FS40

Use only authorized parts. Any damage or malfunction caused by the use of unauthorized parts is not covered by Warranty or Product Liability. Any unauthorized use or copying of the contents or any part thereof is prohibited. This applies in particular to trademarks, model denominations, part numbers, and drawings.

Instructions for use

This spare parts list contains no safety regulations and is merely intended to assist in the ordering of spare parts.

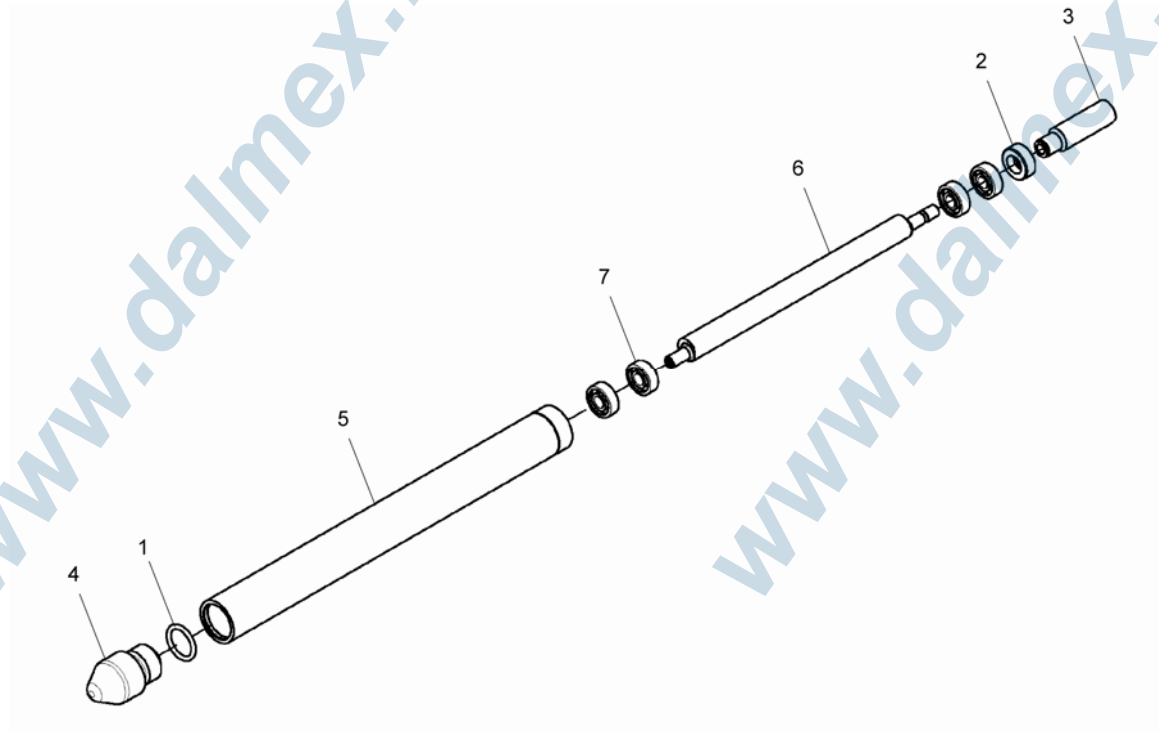
For information about operating, servicing, or repairing, the relevant Safety and operating instructions must be consulted at all costs.

Please observe the safety instructions listed in the relevant Safety and operating instruction



Spare parts list

MAXI VH29 vibrator tube

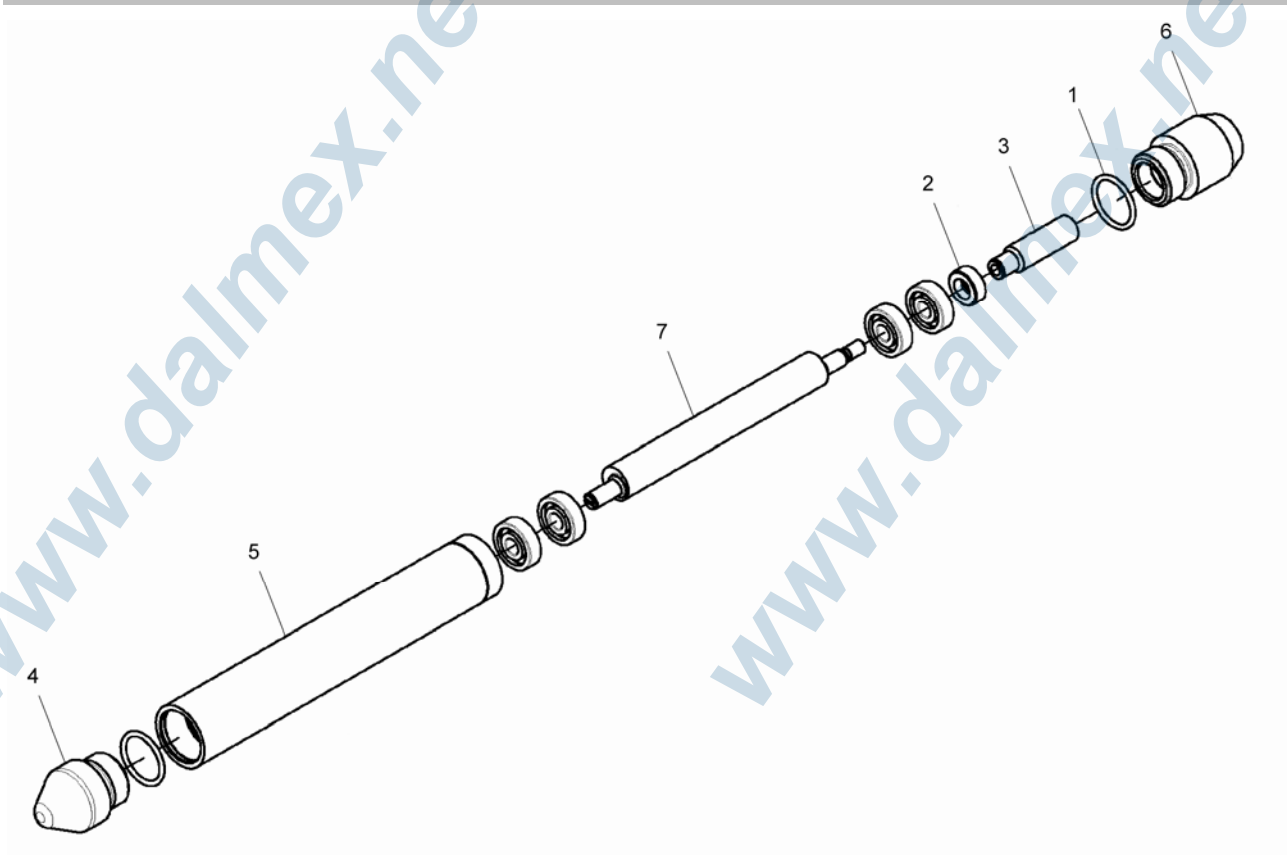




No.	Description	Remark	Quantity	Part number
1	End cap		1	4700 7016 64
2	Tube		1	4700 7016 65
3	Oring		1	4700 1600 03
4	Eccentric		1	4700 7016 66
5	Ball bearing		4	4700 9012 90
6	Square fitting		1	4700 7016 45
7	Jointing ring		1	4700 1631 39



MAXI VH39 Vibrator tube

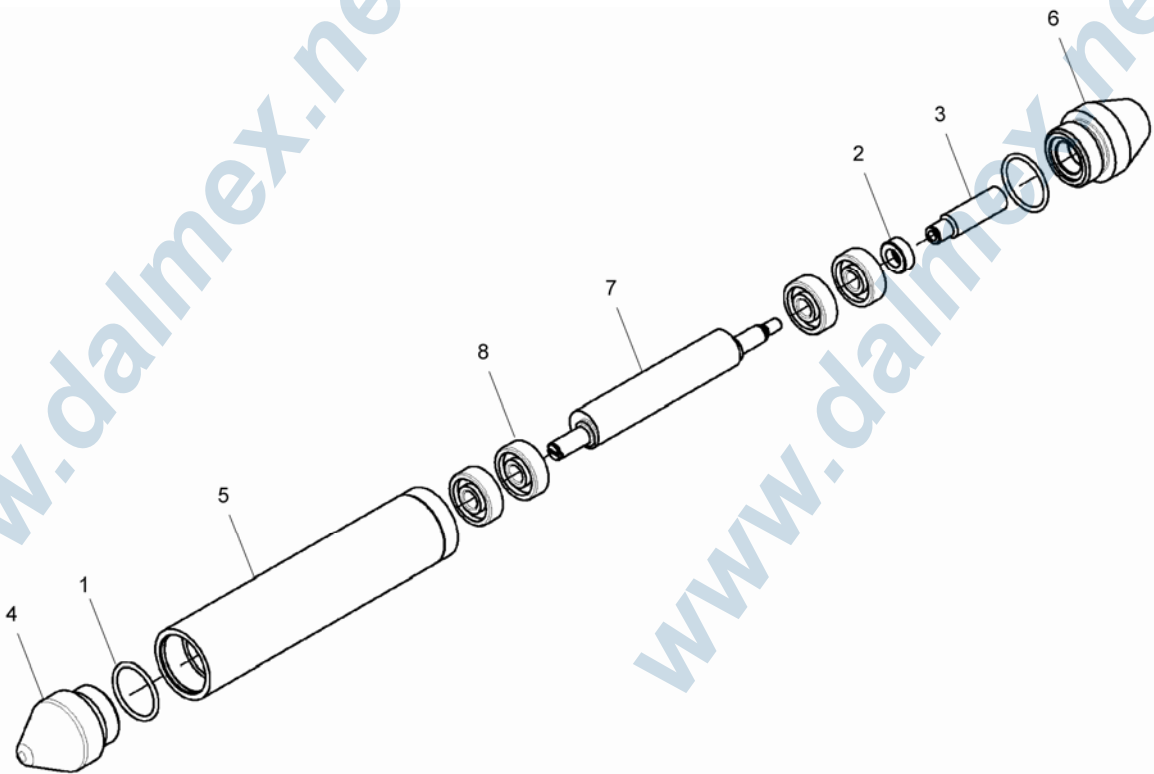




No.	Description	Remark	Quantity	Part number
1	O-ring		2	4700 1600 09
2	Jointing ring		1	4700 1631 39
3	Square fitting		1	4700 7016 45
4	End cap		1	4700 7016 68
5	Tube		1	4700 7016 69
6	Tube connector		1	4700 7016 70
7	Eccentric		1	4700 7016 71
8	Ball bearing		4	4700 9012 91



MAXI VH49 Vibrator tube

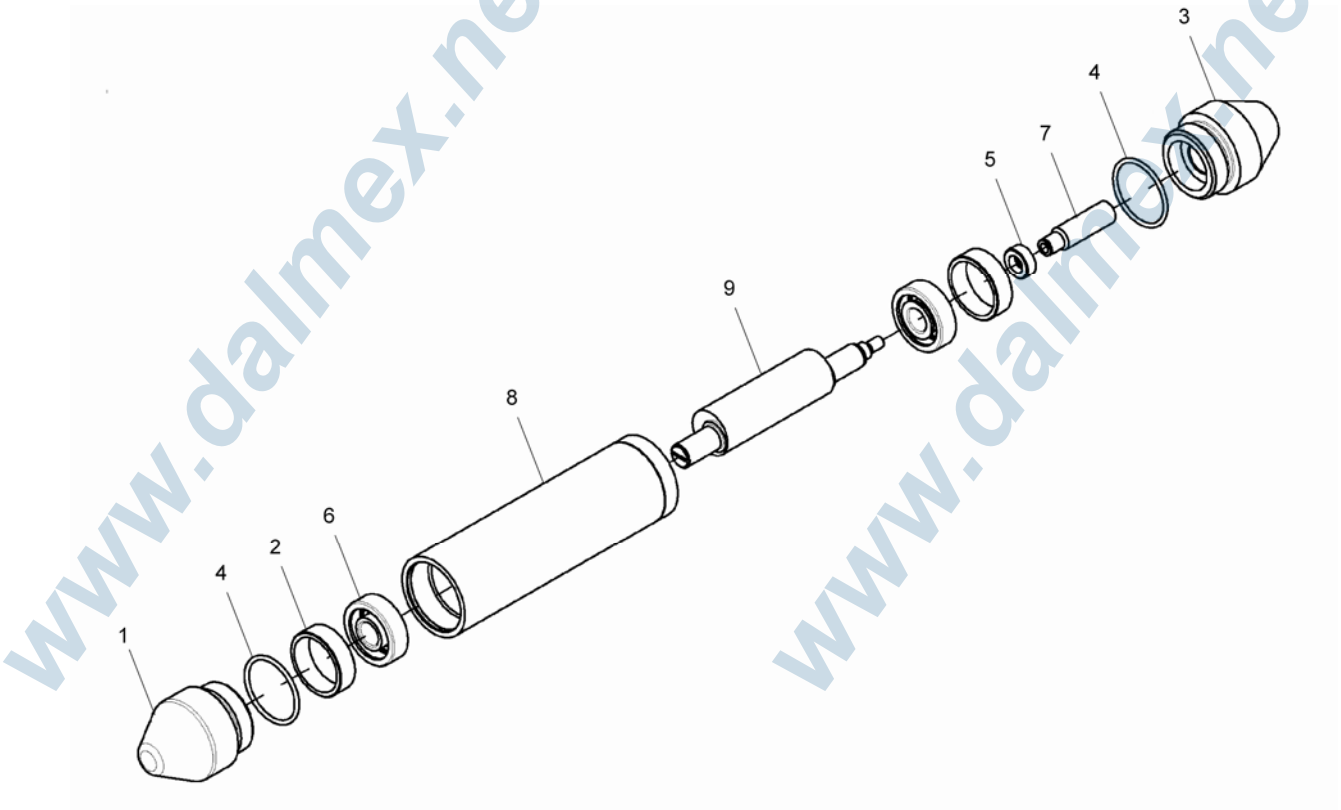




No.	Description	Remark	Quantity	Part number
1	O-ring		2	4700 1600 13
2	Jointing ring		1	4700 1631 39
3	Square fitting		1	4700 7016 45
4	End cap		1	4700 7016 73
5	Tube		1	4700 7016 74
6	Tube connector		1	4700 7016 75
7	Eccentric		1	4700 7016 76
8	Ball bearing		4	4700 9012 92



MAXI VH59 Vibrator tube

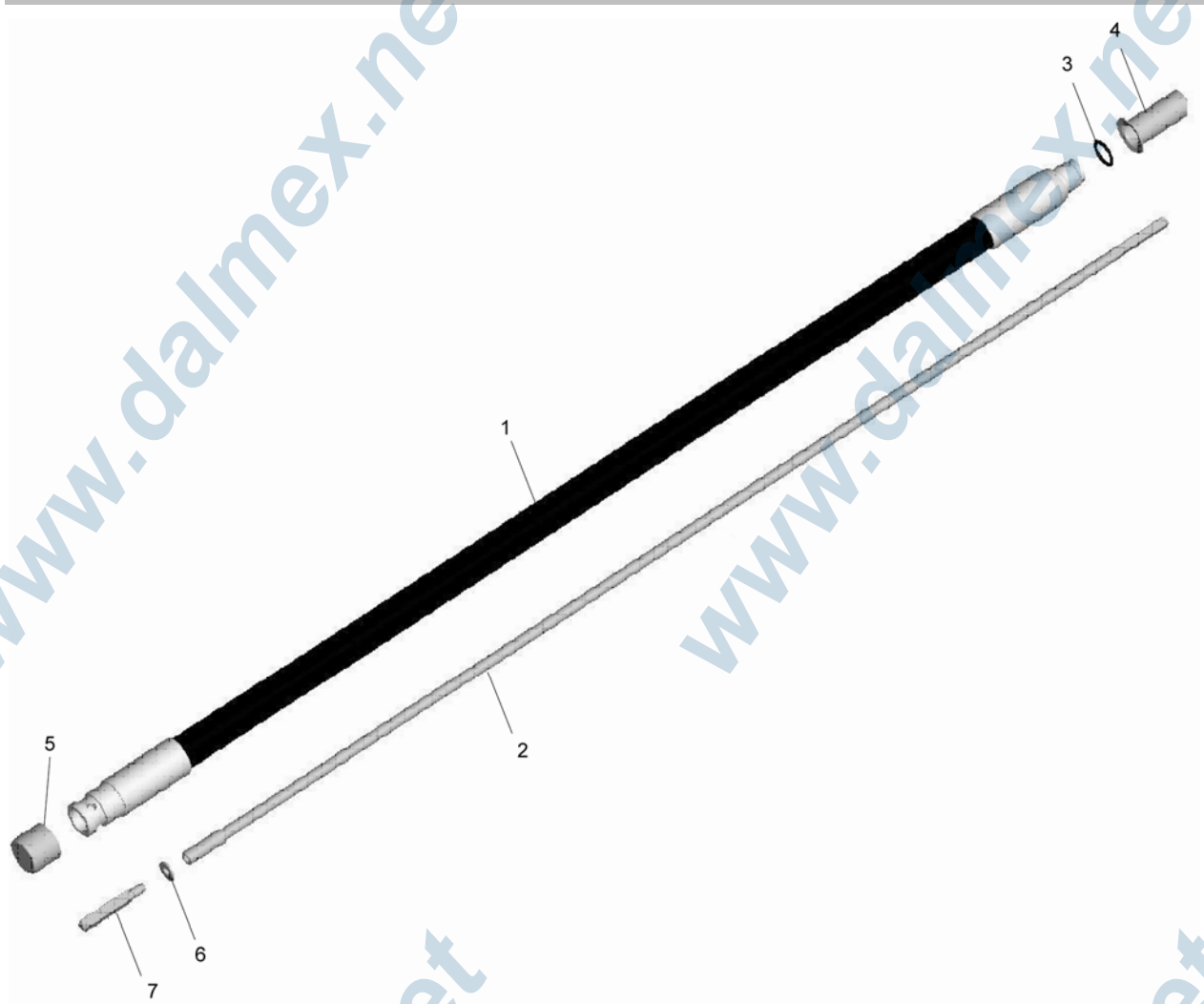




No.	Description	Remark	Quantity	Part number
1	End cap		1	4700 7016 78
2	Sleeve		2	4700 3610 85
3	Tube connector		1	4700 7016 80
4	O-ring		2	4700 1600 21
5	Jointing ring		1	4700 1631 39
6	Roller bearing		2	4700 3610 84
7	Square fitting		1	4700 7016 45
8	Tube		1	4700 7016 79
9	Eccentric		1	4700 7016 81
10	Oil 30 cm3		1	4700 1808 04



MAXI FS flexible shafts





No.	Description	Quantity	Part number			
			MAXI FS10	MAXI FS20	MAXI FS30	MAXI FS40
1	Hose complete	1	4812 0513 36	4812 0513 37	4812 0513 38	4812 0513 39
2	Flexible shaft	1	4812 0513 40	4812 0513 41	4812 0513 42	4812 0513 43
3	O-ring	1	4700 1600 03			
4	Protective cap	1	4700 7018 15			
5	Protective cap	1	4812 0513 44			
6	Washer	1	4812 0513 31			
7	Square	1	4812 0513 30			

www.dalmex.net

www.dalmex.net



Maintenance kits

Bearings kit

Vibrator head	Part number
MAXI VH29	4700 2100 02
MAXI VH39	4700 2100 03
MAXI VH49	4700 2100 04
MAXI VH59	4700 2100 05



DALMEX

TREMIX®

www.dalmex.net

www.dalmex.net

www.dalmex.net

www.dalmex.net

TREMIX®

www.dalmex.net

Nordic Construction Equipment AB, PO Box 8001, SE-141 08 Kungens Kurva, Sweden.
Tel. +46 (0)8 603 32 00. Fax. +46 (0)8 646 72 61, www.tremix.com