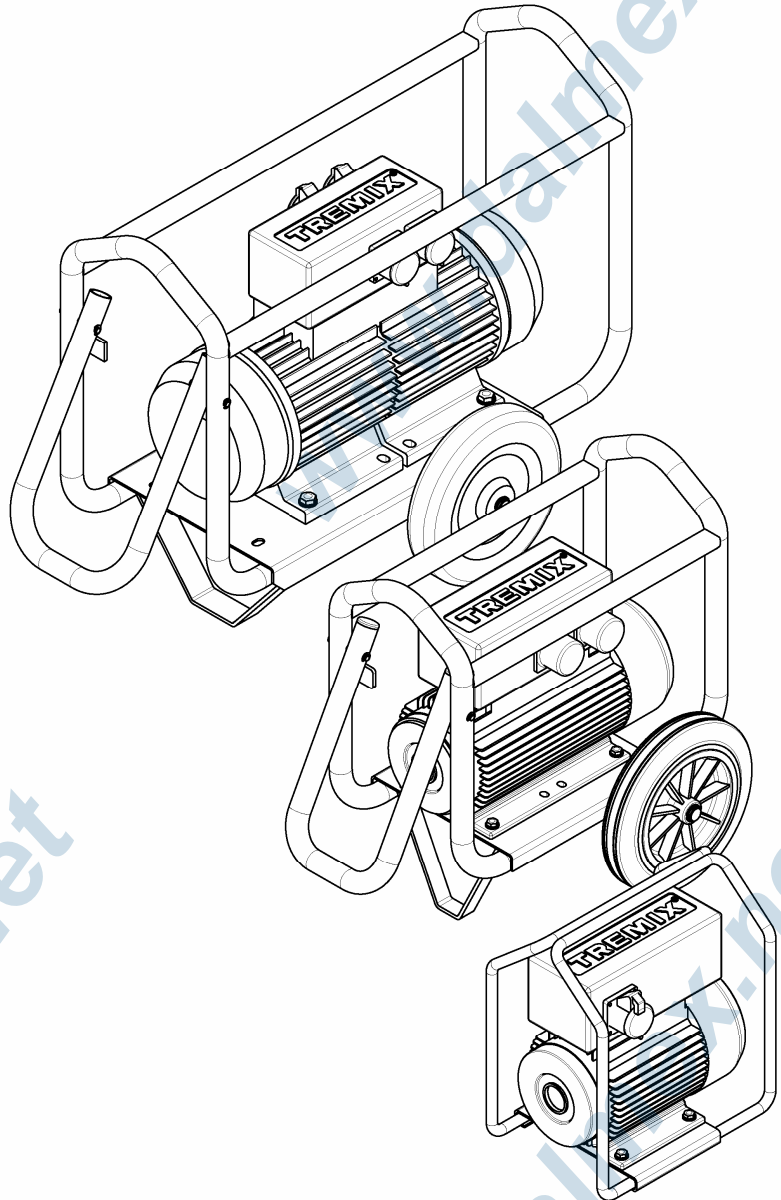


# OM

## Spare parts list

### Rotative frequency converter





# Contents

<b>General information .....</b>	<b>3</b>
<b>Spare parts list .....</b>	<b>4</b>
OM4700 .....	4
OM1800 .....	7
OM800 .....	10

[www.dalmex.net](http://www.dalmex.net)

[www.dalmex.net](http://www.dalmex.net)

## General information

This spare parts list applies to the following:

Part number	Description	Input voltage	Output voltage
48120 505 59	Frequency converter OM800	230V-1-50Hz	42V-3-200Hz
48120 505 60	Frequency converter OM1800	400V-3-50Hz	42V-3-200Hz
4812 0505 61	Frequency converter OM4700	400V-3-50Hz	42V-3-200Hz
4812 0503 99	Trolley kit for OM1800	-	-

Use only authorized parts. Any damage or malfunction caused by the use of unauthorized parts is not covered by Warranty or Product Liability.

Any unauthorized use or copying of the contents or any part thereof is prohibited. This applies in particular to trademarks, model denominations, part numbers, and drawings.

### Instructions for use

This spare parts list contains no safety regulations and is merely intended to assist in the ordering of spare parts.

For information about operating, servicing, or repairing, the relevant Safety and operating instructions must be consulted at all costs.

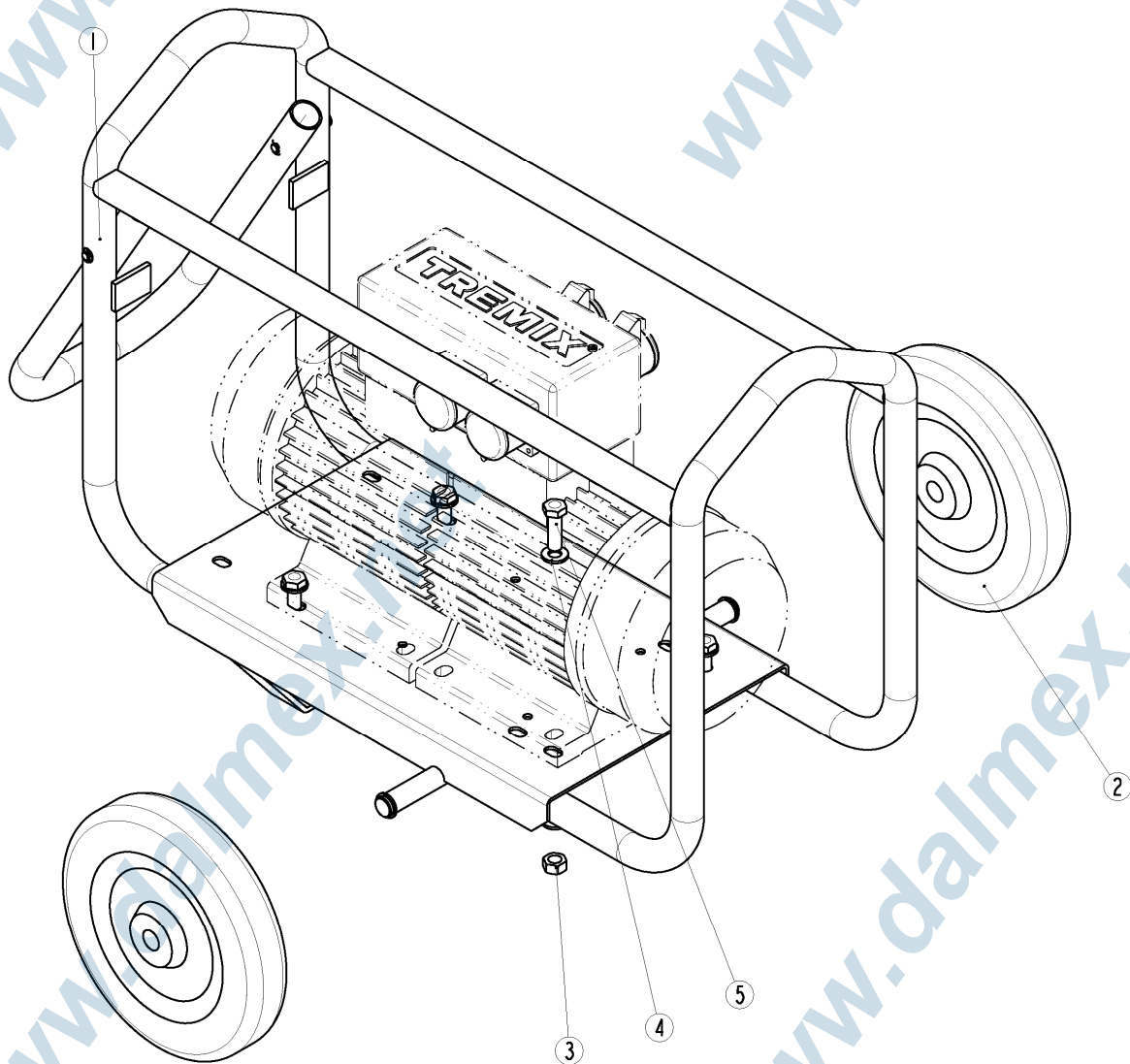
Please observe the safety instructions listed in the relevant Safety and operating instructions!

# Spare parts list

## OM4700

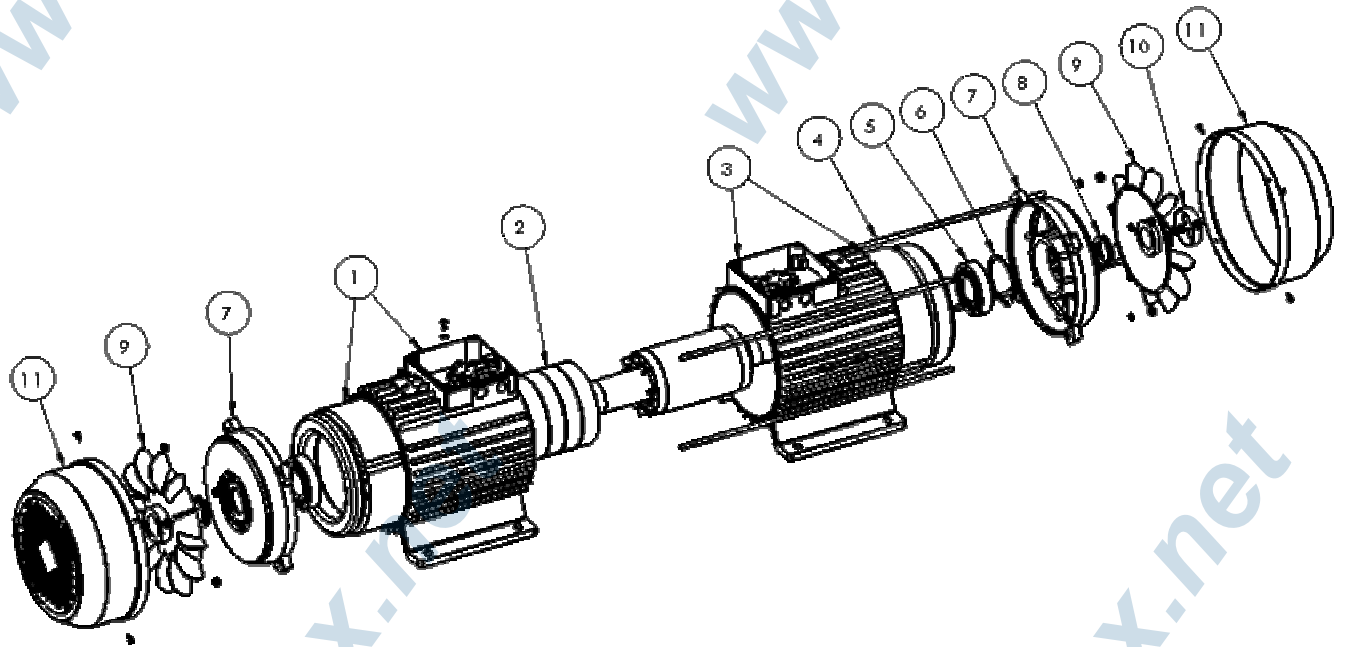
### TROLLEY

No.	Description	Remark	Quantity	Part number
1	Complete frame		1	4812 0510 55
2	Wheels		2	4700 3609 27
8	Nut	HU M12 CL8.8 DIN934	4	-
9	Washer	ZU12	8	-
10	Screw	H M12X40 CL8.8 DIN933	4	-



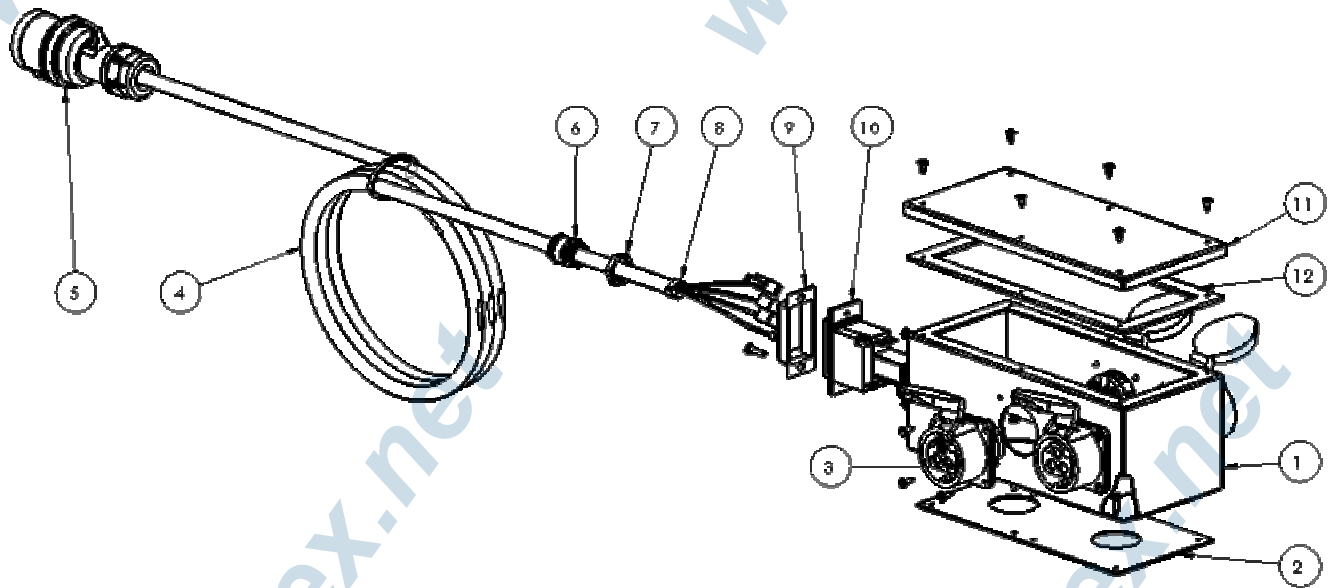
FREQUENCY CONVERTER OM4700

No.	Description	Remark	Quantity	Part number
1	Generator housing and wound stator core	42V-3-200Hz	1	4812 0507 11
2	Rotor	42V-3-200Hz	1	4812 0504 02
3	Motor housing and wound stator core	400V-3-50Hz	1	4812 0507 12
4	Screw		4	4812 0504 05
5	Bearing		2	4812 0504 06
6	Washer		1	4812 0504 07
7	Flange		2	4812 0507 13
8	Gasket		2	4812 0504 09
9	Fan		2	4812 0504 10
10	Ring		2	4812 0504 11
11	Fan cover		2	4812 0507 14



*TERMINAL BOX OM4700*

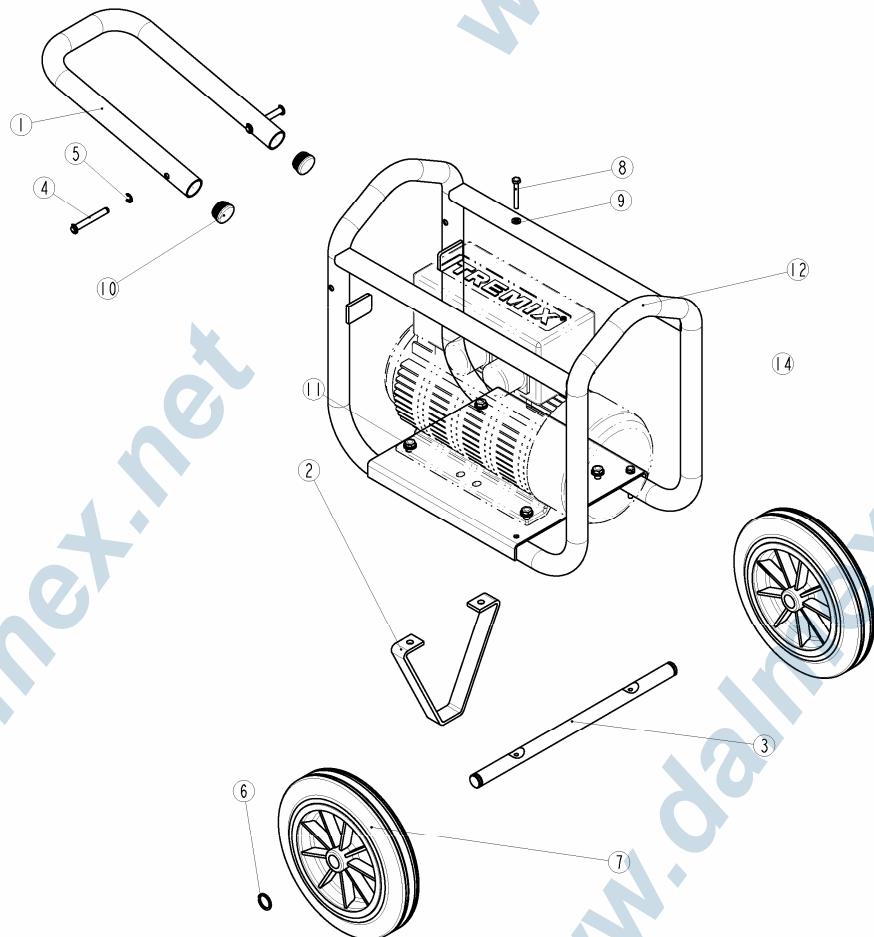
No.	Description	Remark	Quantity	Part number
1	Terminal box housing		1	4812 0507 15
2	Lower gasket		1	4812 0504 14
3	Outlet	42V / 32A	1	4700 9278 27
4	Cable		2m	4700 9010 25
5	Plug		1	4700 1371 43
6	Cable gland		1	4812 0504 15
7	Nut		1	4812 0504 16
8	Crampon		1	4812 0504 17
9	Switch cover		1	4812 0504 18
10	Switch		1	4812 0504 19
11	Terminal box cover		1	4812 0507 16
12	Upper gasket		1	4812 0504 21



## OM1800

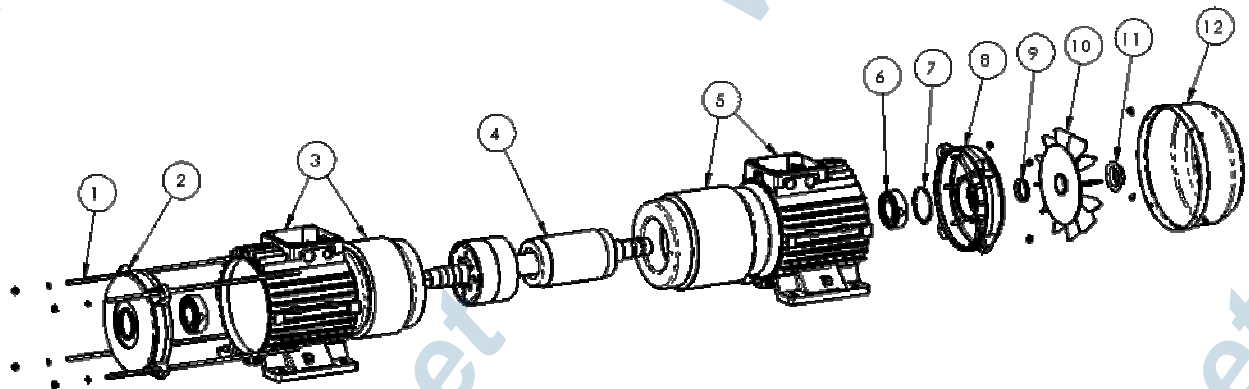
### FRAME AND TROLLEY KIT SPARE PARTS

No.	Description	Remark	Quantity	Part number
1	Handle	In kit only	1	4812 0503 96
2	Support foot	In kit only	1	4812 0503 97
3	Shaft	In kit only	1	4812 0503 98
4	Axle	In kit only	2	4700 1374 04
5	Retaining ring	In kit only	4	4700 1520 14
6	Retaining ring	In kit only	2	4700 1833 39
7	Wheel	In kit only	2	4700 3609 27
8	Screw	In kit only	2	4700 3666 98
9	Washer	In kit only	2	4700 6000 04
10	Plug	In kit only	2	4700 3605 31
11	Screw	In kit only	2	4700 5000 22
12	Frame	In converter	1	4812 0507 17



FREQUENCY CONVERTER OM1800

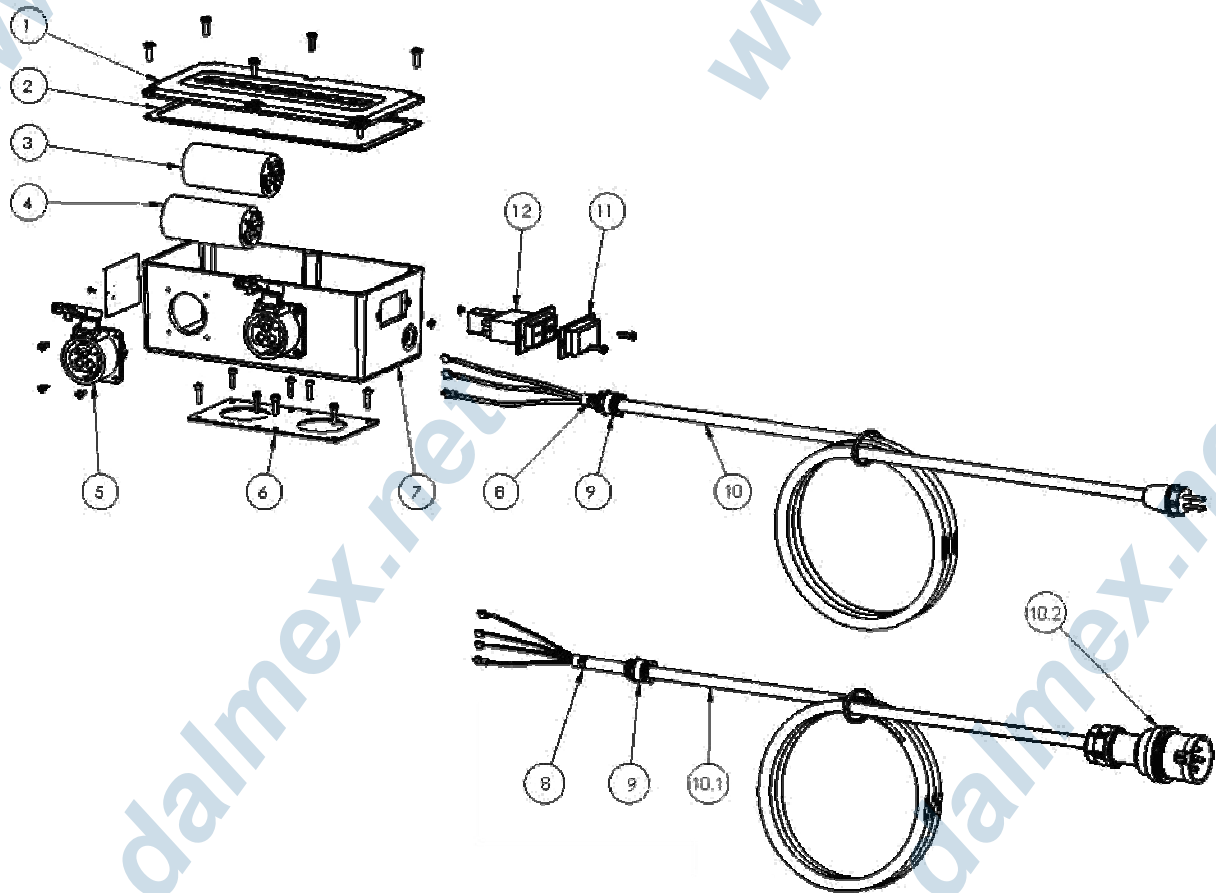
No.	Description	Remark	Quantity		Part number
			CF25T	CF25M	
1	Threated rod		1	1	4812 0506 80
2	Front flange		1	1	4812 0507 18
3	Generator housing and wound stator core	42V-3-200Hz	1	1	4812 0507 19
4	Rotor	42V-3-200Hz	1	1	4812 0506 84
5	Motor housing and wound stator core	400V-3-50Hz	1	-	4812 0507 20
6	Bearing		2	2	4812 0504 84
7	Washer		1	1	4812 0506 87
8	Rear flange		1	1	4812 0507 21
9	Seal		1	1	4812 0506 89
10	Fan		1	1	4812 0506 90
11	Ring		1	1	4812 0506 91
12	Fan cover		1	1	4812 0507 22





TERMINAL BOX OM1800

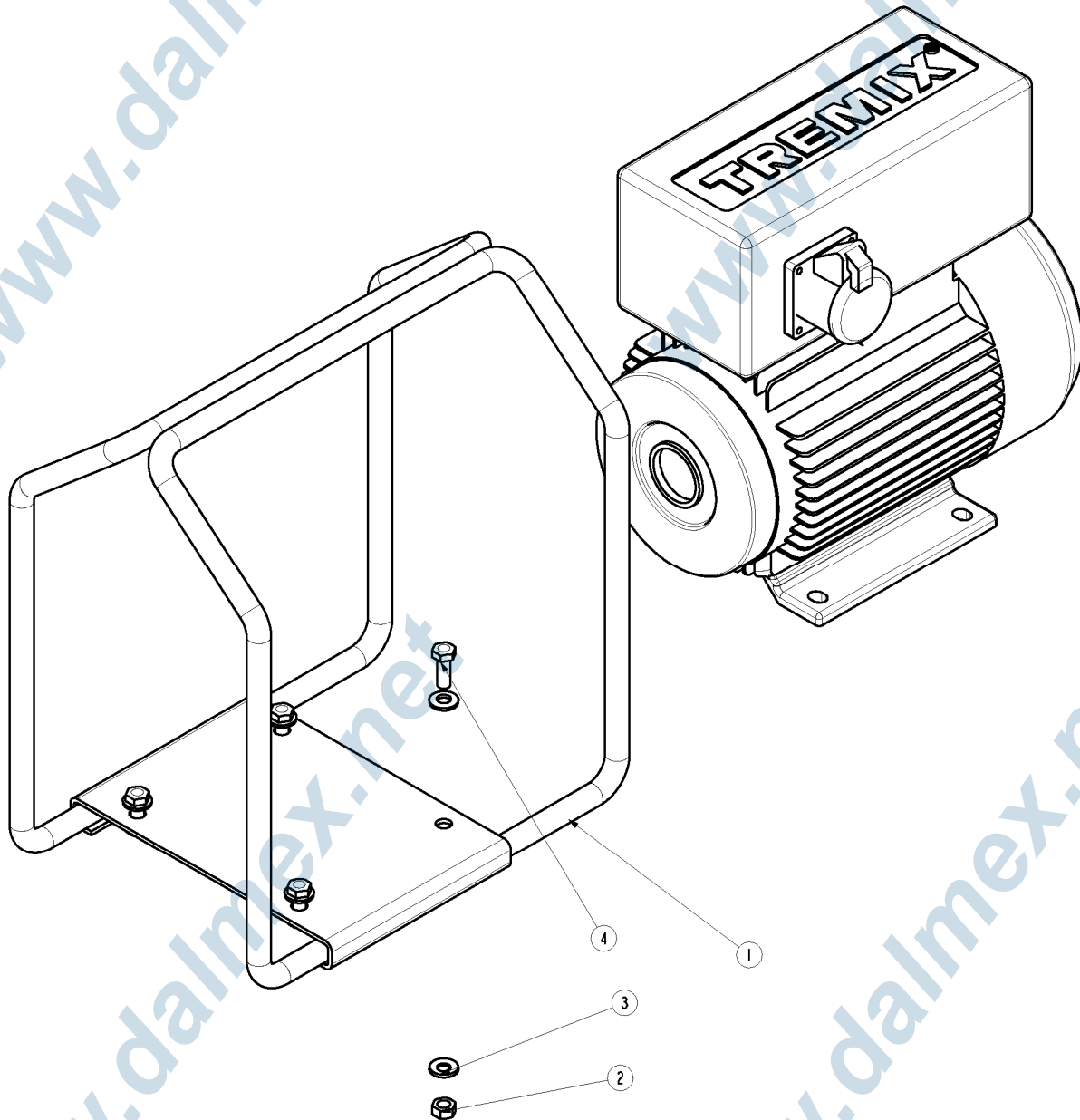
No.	Description	Remark	Quantity		Part number
			CF25T	CF25M	
1	Terminal box cover		1	1	4812 0507 16
2	Upper gasket		1	1	4812 0504 21
5	Outlet	42V/32A	2	2	4700 9278 27
6	Lower gasket		2	2	4812 0506 95
7	Terminal box housing		1	1	4812 0507 23
8	Crampon		1	1	4812 0506 97
9	Cable gland		1	1	4812 0504 15
10.1	Cable only		1	-	4700 9010 24
10.2	Plug		1	-	4700 1371 43
11	Switch cover		1	1	4812 0504 18
12	Switch	3~	1	-	4812 0507 00



**OM800**

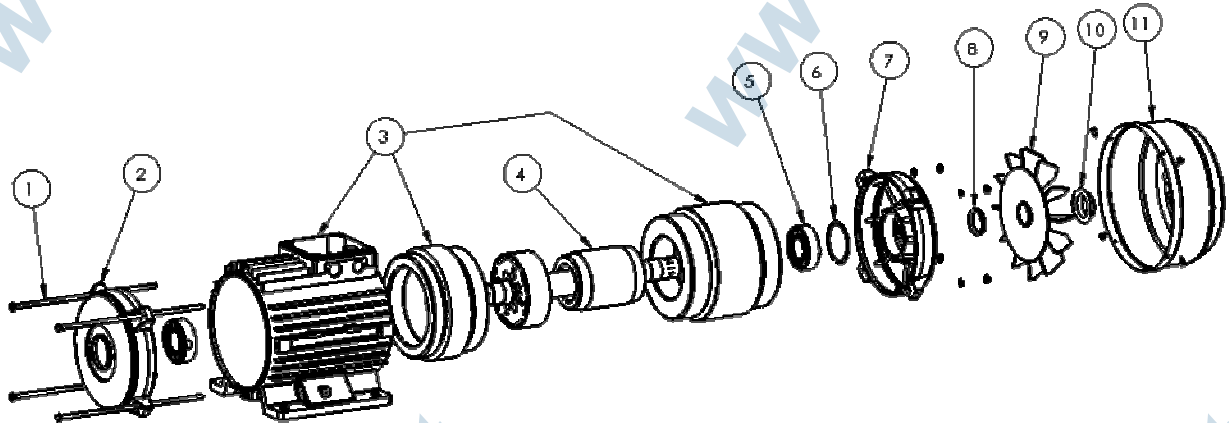
*FRAME*

No.	Description	Remark	Quantity	Part number
1	Frame		1	4812 0507 24
6	Nut	HU M8 CL8.8 DIN934	4	-
7	Screw	H M 8X22 CL8.8 DIN933	4	-
8	Spring washer	M8 DIN6796	8	-



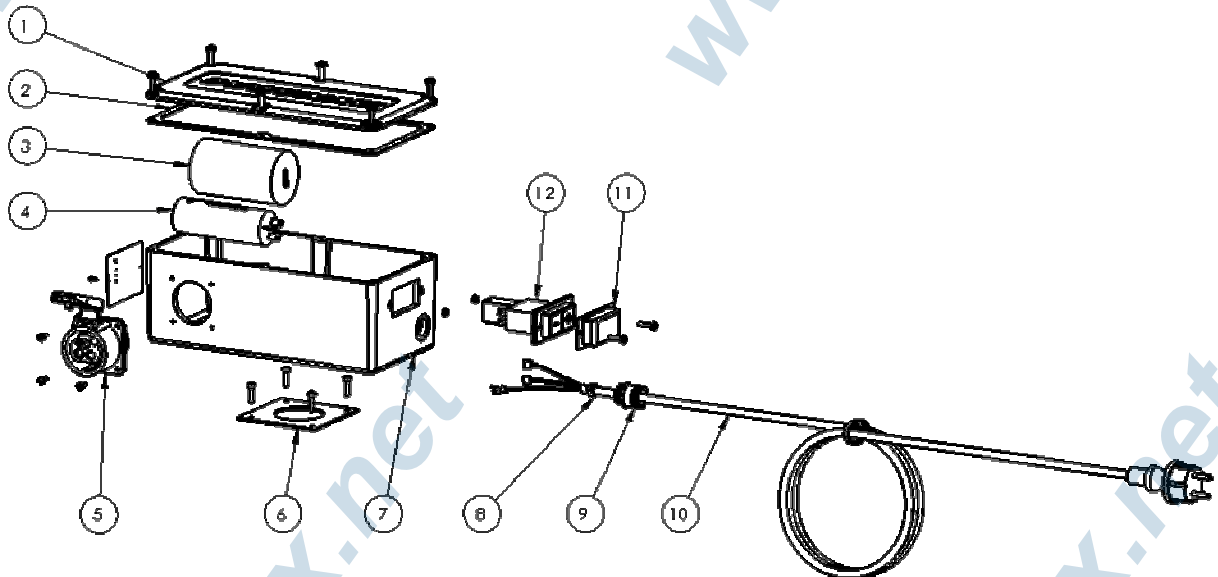
FREQUENCY CONVERTER

No.	Description	Remark	Quantity	Part number
1	Threated rod		1	4812 0507 02
2	Front flange		1	4812 0507 18
3	Generator / motor housing and wound stator cores	230V-1-50Hz	1	4812 0507 25
4	Rotor		1	4812 0507 04
5	Bearing		2	4812 0504 84
6	Washer		1	4812 0506 87
7	Rear flange		1	4812 0507 21
8	Seal		1	4812 0506 89
9	Fan		1	4812 0506 90
10	Ring		1	4812 0506 91
11	Fan cover		1	4812 0507 22



*TERMINAL BOX*

No.	Description	Remark	Quantity	Part number
1	Terminal box cover		1	4812 0507 16
2	Upper gasket		1	4812 0504 21
3	Capacitor 30 $\mu$ F/480V		1	4812 0507 05
4	Capacitor 22 $\mu$ F/450V		1	4812 0507 06
5	Outlet 42V/32A		1	4700 9278 27
6	Lower gasket		1	4812 0506 95
7	Terminal box housing		1	4812 0507 26
8	Crampon		1	4812 0506 97
9	Cable gland		1	4812 0504 15
10	Cable + moulded plug		1	4812 0507 09
11	Switch cover		1	4812 0504 18
12	Switch		1	4812 0507 10





[www.dalmex.net](http://www.dalmex.net)

[www.dalmex.net](http://www.dalmex.net)

[www.dalmex.net](http://www.dalmex.net)

[www.dalmex.net](http://www.dalmex.net)

Any unauthorized use or copying of the contents or any part thereof is prohibited.  
This applies in particular to trademarks, model denominations, part numbers, and drawings.