

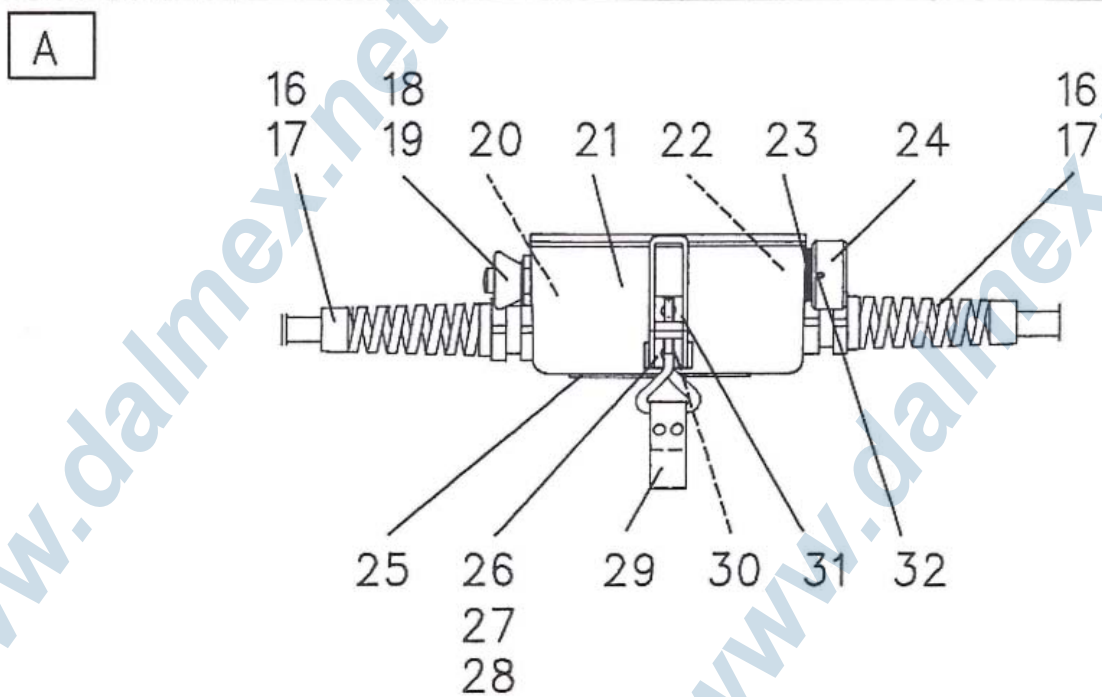
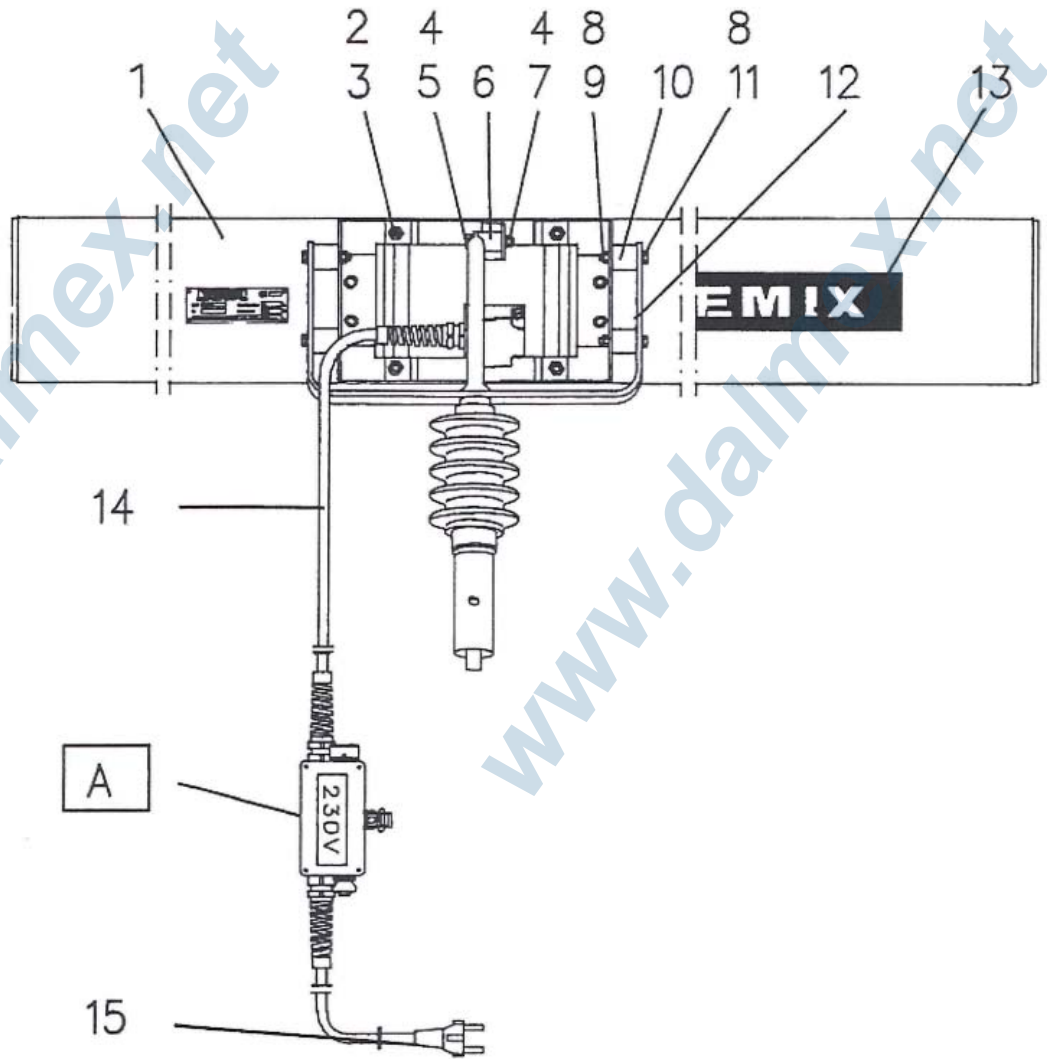


Bullfloat with electric engine **BFE**

Date 2009-06

TREMIX BFE

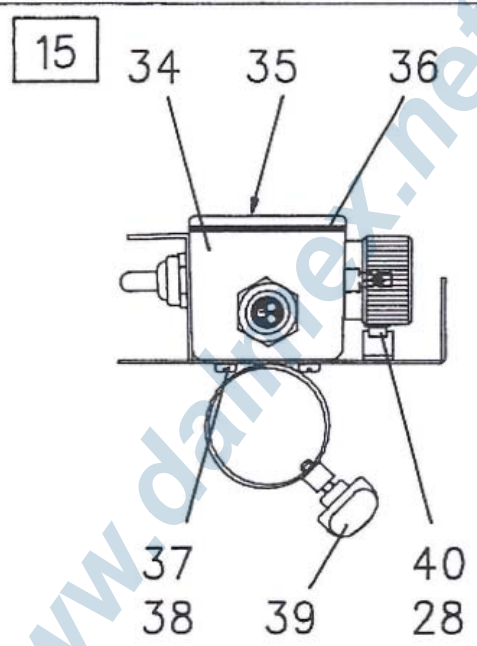
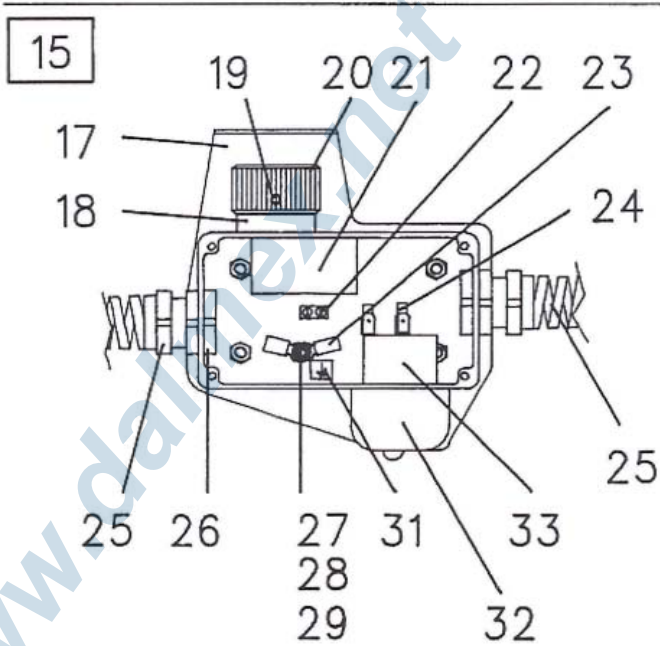
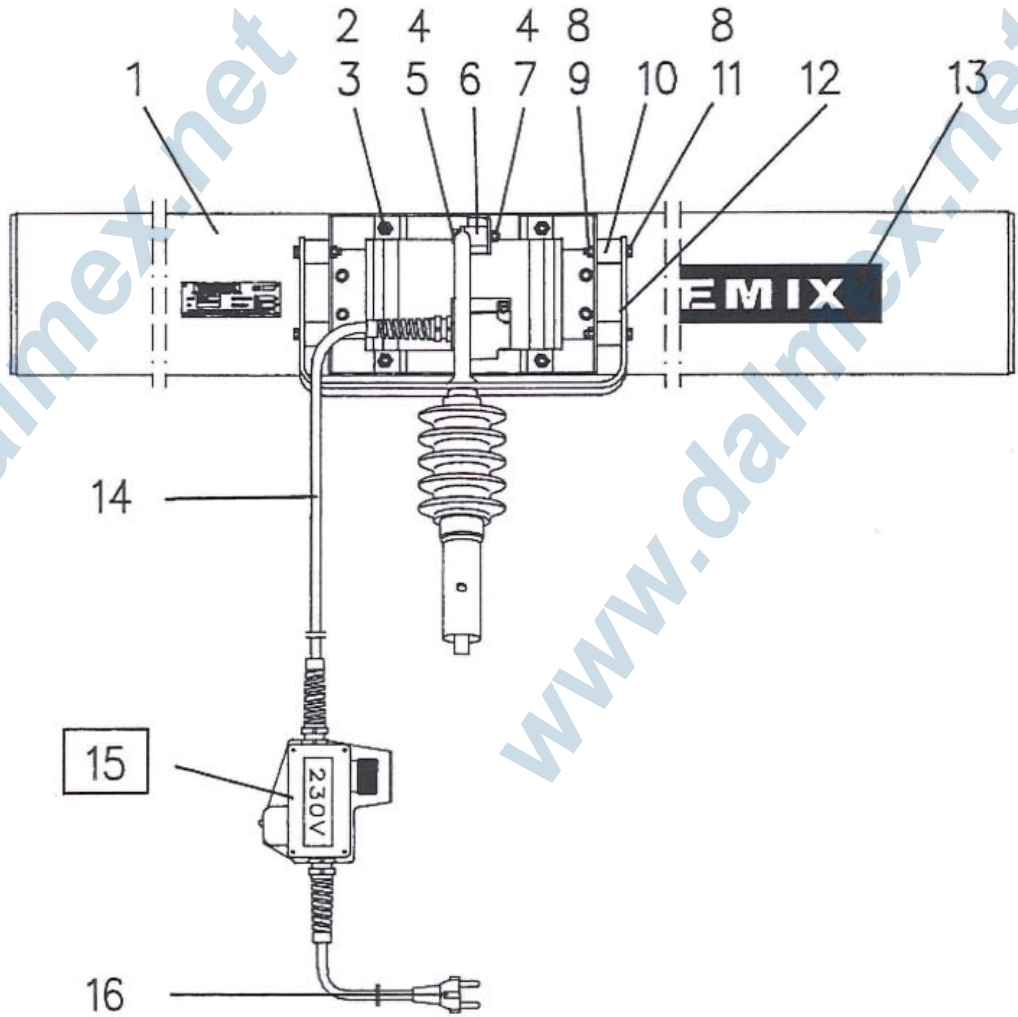
Pos	Part No	Description	Qty
1A	4700022082	Bullfloat profile 1.5m	1
1B	4700022083	Bullfloat profile 2.0m	1
2		Locking nut	DIN 982 8 M8 5
3		Washer	BRB 8.4x16x1.5 5
4		Locking washer	Nord-Lock M8 2 pair
5		Screw	M6S 8x12 1
6	4700002121	Vibration damper	30x25 1
7		Nut	M8 1
8		Locking washer	Nord-Lock M6 8 pair
9		Nut	M6 4
10	4700002127	Vibration damper	25x25 4
11		Screw	M6S 6x12 4
12	4700022073	Fork	1
13	4700001261	Label "Tremix"	2
14	4700001019	Cable	3x1.5mm ² L=2.0m 1
15	D604003290	Cable rack	3x1.5mm ² L=0.5m 1
16	D604003398	Gland nut	2
17		Counter nut	Pg11 2
18	4700003508	Switch	1
19	4700003509	Sealing casing	1
20	4700003465	Flat pin sleeve	4
21	4700032715	Switch casing	1
22	4700003395	Regulator	1
23	4700002149	Expanded rubber	1
24	D604047667	Hand wheel	1
25	4700002393	Expanded rubber	1
26		Screw	MCS 4x12 2
27		Locking nut	DIN 982 8 M4 2
28		Washer	BRB 4.3x8x0.5 2
29	4700048043	Holding device	1
30		Rivet	3.2x8 2
31	4700048034	Eccentric lock	1
32		Screw	SK6SS 4x12 3



TREMIX BFE

Date 2009-06

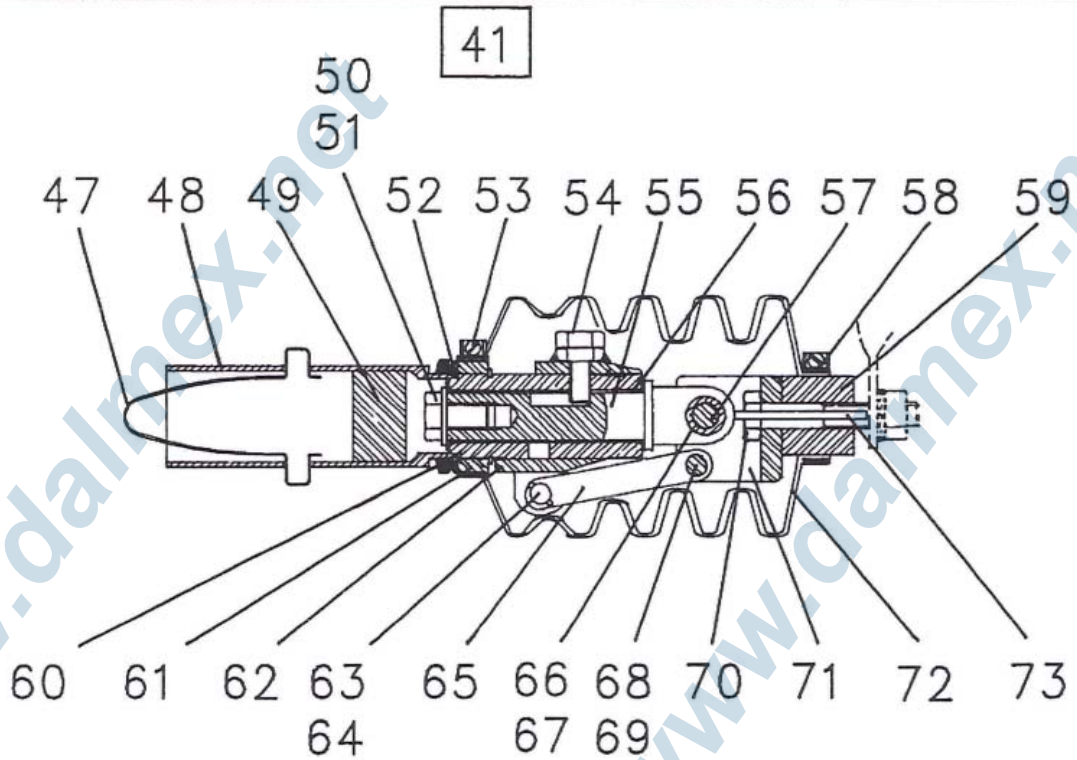
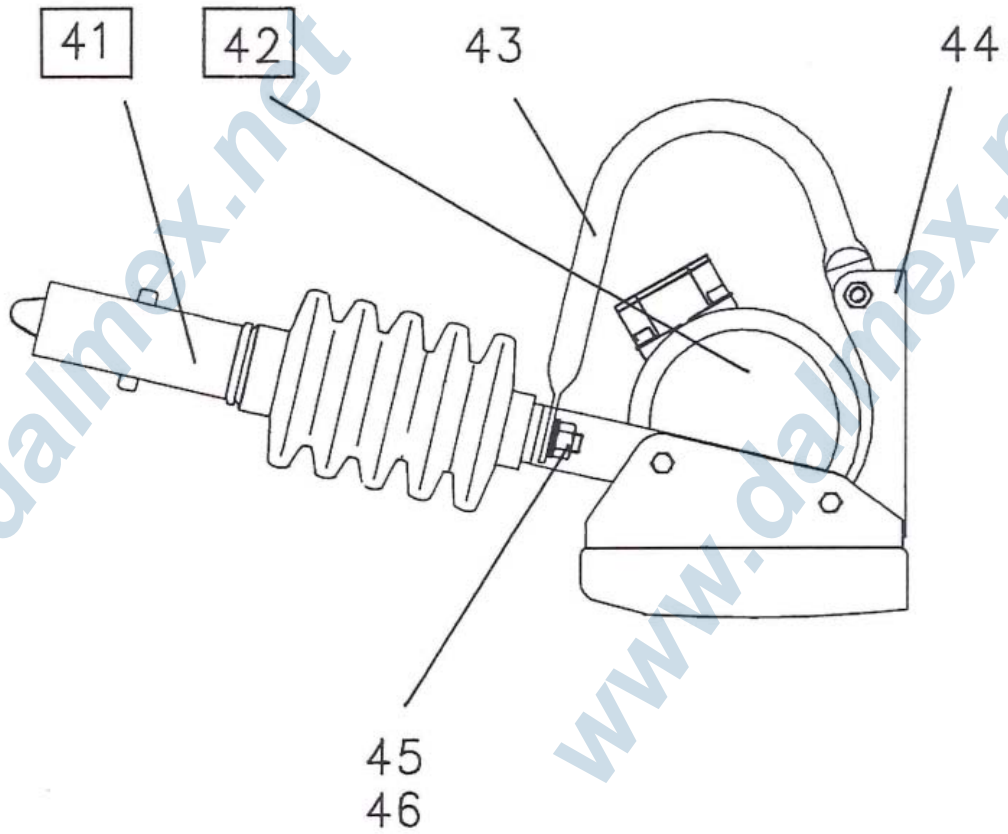
Pos	Part No	Description	Qty
	4700011760	Bullfloat cpl 1.5m	
	4700011759	Bullfloat cpl 2.0m	
1A	4700022082	Bullfloat profile 1.5m	1
1B	4700022083	Bullfloat profile 2.0m	1
2		Locking nut DIN 982 8 M8	5
3		Washer BRB 8.4x16x1.5	5
4		Locking washer Nord-Lock M8	2 palr
5		Screw M6S 8x12	1
6	4700002121	Vibration damper 30x25	1
7		Nut M8	1
8		Locking washer Nord-Lock M6	8 palr
9		Nut M6	4
10	4700002127	Vibration damper 25x25	4
11		Screw M6S 6x12	4
12	4700022073	Fork	1
13	4700001261	Label "Tremix"	2
14	4700001019	Cable 3x1.5mm ² L=2.0m	1
15	4700032768	Switch cpl	1
16	D604003290	Cable rack 3x1.5mm ² L=0.5m	1
17	4700032765	Switch holder	1
18	4700002149	Expanded rubber	1
19		Stop screw SK6SS 4x12	3
20	4700048181	Hand wheel	1
21	4700003395	Regulator	1
22		Connection terminal board 2.5mm ²	1
23	4700000964	Cable lug A1543R	3
24	4700003557	Flat pin sleeve A1507-FLF	4
25	4700003547	Gland nut Pg13	2
26		Counter nut	2
27		Screw MFS 4x14	1
28		Washer 5.3x10x1	2
29		Locking washer AZ 4.3	1
30		Nut M4	2
31	D604003457	Label. earthing symbol	1
32	4700048184	Protective plate	1
33	4700003556	Toggle switch	1
34	4700032767	Switch casing	1
35	4700043985	Label. 230V	1
36	4700003549	Sealing	1
37		Screw MCS 5x10	4
38		Locking nut DIN 982 8 M5	4
39	4700002443	Knob	1
40		Screw MC6S 4x10	1



Date 2009-06

TREMIX BFE

Pos	Part No	Description	Qty
41	4700022021	Revolving device cpl	1
42	4700048177	Electric engine	1
43	4700032607	Handle	1
44	4700032737	Stay	1
45		Locking washer Nord-Lock M10	1 pair
46		Nut M10	1
47	4700002302	Clip	1
48	4700048035	Sleeve	1
49	4700000385	Expanded rubber washer	1
50		Screw M6S 10x16	1
51		Washer 10x26x2	1
52	4700000450	Flange ring SW 32	2
53	4700001993	Hose clamp 40-60	1
54	4700047687	Screw	1
55	4700047682	Shaft	1
56	4700000124	Plain bearing	2
57		Screw M6S 8x45	1
58	4700001353	Hose clamp 24-44	1
59	4700047685	Spacer	1
60	4700000382	V-ring V-30 A	1
61	4700047683	Ring	1
62	4700047689	Thrust collar	1
63		Pin CBH 8x22	1
64		Cotter key SP 1.6x20	1
65	4700047686	Link	1
66		Locking nut DIN 982 8 M10	1
67		Washer BRB 10.5x21x2	2
68		Pin CP 8x40 h8	1
69	4700000124	Locking washer Starloc 8	2
70		Screw M6S 10x60	1
71	4700047684	Fork	1
72	4700002129	Bellows	1
73		Roll pin FRP 3x16	1

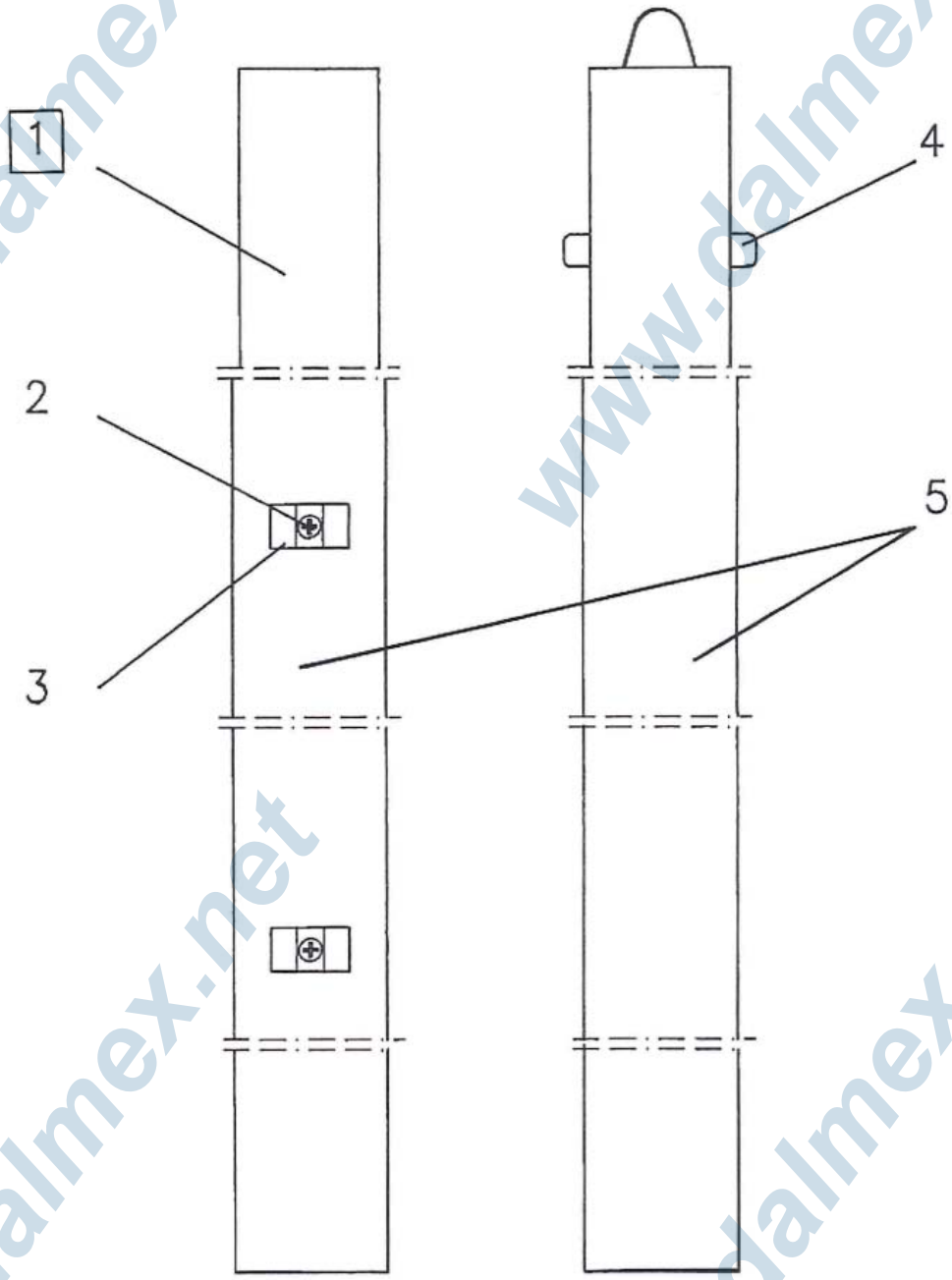


Date 2009-06

TREMIX BFE

Pos	Part No	Description	Qty
1	4700032769	Handle tube cpl	1
2		Screw	2
3	4700048179	Clip	2
4	4700002302	Clip	1
5	4700002259	Handle tube	2

CSS ST 4.8x19



www.dalmex.net

www.dalmex.net

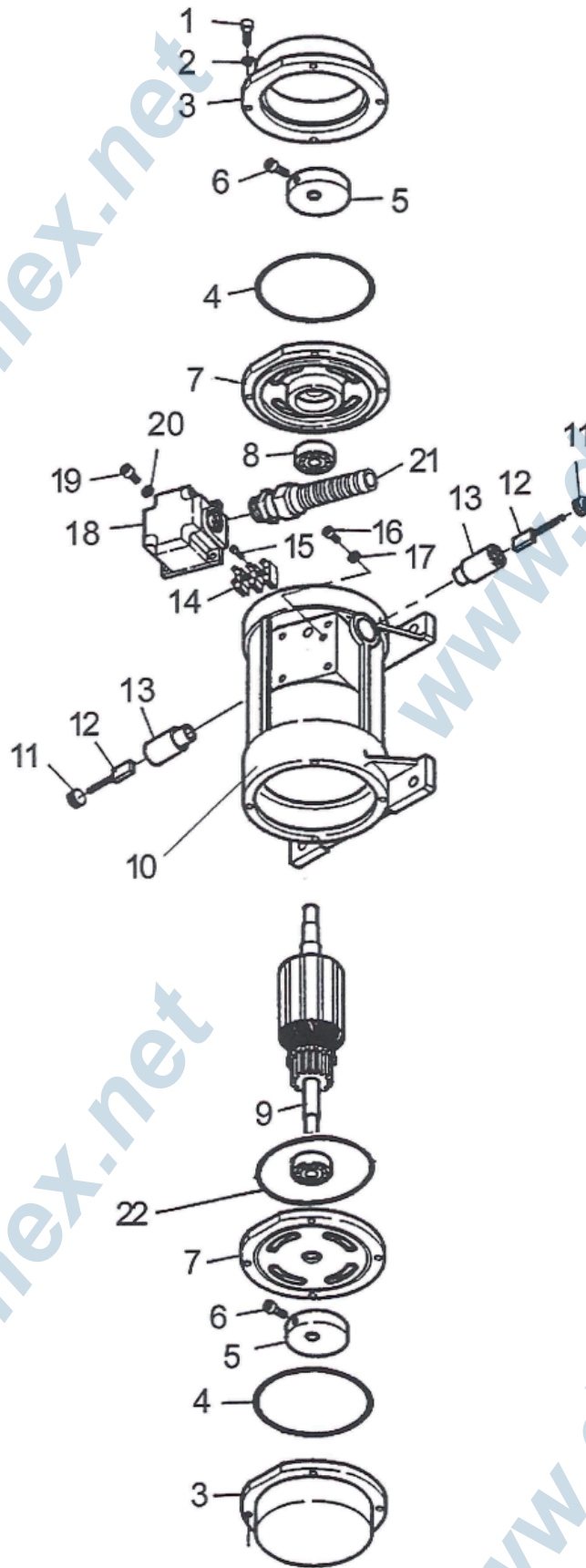
TREMIX BFE

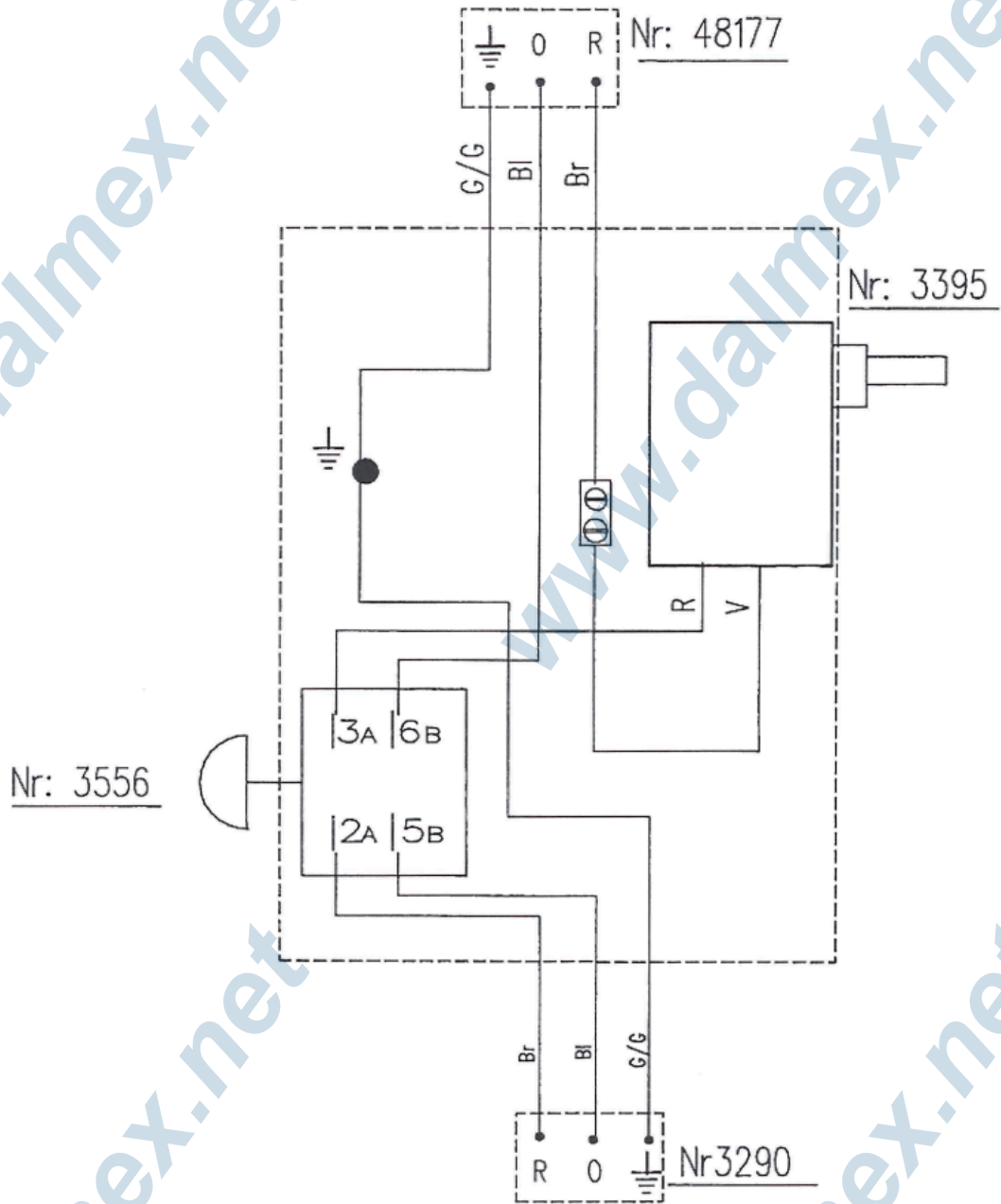
Date 2009-06

Pos	Part No	Description		Qty
1		Screw	M5x25	8
2		Washer	M5	8
3	D230222203	Motorcover		2
4	D230222204	O-ring		2
5	4700048044	Excentric		2
6		Screw	M5x10	2
7	D230222207	Bearing shield		2
8	D230222208	Ball bearing		2
*9	D230222209	Rotor+Stator cpl.		1
10	D230222210	Stator cpl		1
11	D230222212	Brush cover		2
12	D230222213	Brushes (set)		1
13	D230222214	Brush retainer		2
14	D230222215	Connection terminal board		1
15	L0245	Selftapping screw		2
16		Screw	M4x8	1
17		Washer	M4	1
18	D230222219	Housing cover		1
19		Screw	M5x16	4
20	L0152	Washer		4
20	L0153	Washer		4
21		Gland nut	Pg13	1
22	D230222223	O-ring		2

* For bullfloats up to year -98 , the rotor and stator needs to be changed at the same time.

Dimensions: Old version: Length 228mm New version: Length 222mm





R	=	Red/Rot/Röd
W	=	White/Weiß/Vit
Br	=	Brown/Braun/Brun
Bl	=	Blue/Blau/Blå
G/G	=	Yellow-Green/Gelb-Grün/Gul-Grön



DALMEX

TREMIX®

www.dalmex.net

www.dalmex.net

www.dalmex.net

www.dalmex.net



DALMEX

TREMIX®

www.dalmex.net

www.dalmex.net

www.dalmex.net

www.dalmex.net

TREMIX®

www.dalmex.net

Nordic Construction Equipment AB, PO Box 8001, SE-141 08 Kungens Kurva, Sweden.
Tel. +46 (0)8 603 32 00. Fax. +46 (0)8 646 72 61, www.tremix.com

RE BFE EN 10