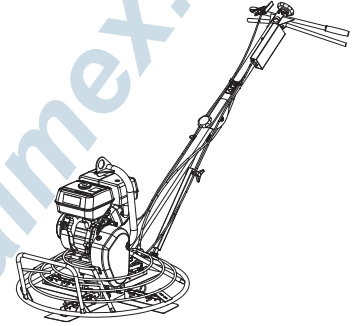


Spare parts list

Trowel

	Valid from serial number
G905B	53000001
G906B	53000001
G926B	53000001
G929B	53000001



www.dalmex.net

www.dalmex.net



DALMEX

TREMIX®

www.dalmex.net

www.dalmex.net

www.dalmex.net

www.dalmex.net

Contents

General information.....	5
Spare parts list.....	6
Short handle.....	6
Long handle.....	8
Engine installation, Honda GX 160.....	12
Engine installation, Honda GX 200.....	14
Engine installation, Honda GX 270.....	16
Power transmission, Honda GX 160, GX 200.....	18
Power transmission, Honda GX 270.....	20
Chassi and gearbox.....	22
Blade assembly.....	24
Labels, short handle.....	26
Labels, long handle.....	28
Accessories.....	30
Consumables.....	30
Kits.....	31
Service kit, Honda GX 160.....	31
Service kit, Honda GX 200.....	31
Service kit, Honda GX 270.....	31
Maintenance kit, Honda GX 160 and 200, short handle.....	32
Maintenance kit, Honda GX 200, long handle.....	32
Maintenance kit, Honda GX 270, long handle.....	32
Transport device kit.....	33
Bolt on blade kit.....	34



DALMEX

TREMIX®

www.dalmex.net

www.dalmex.net

www.dalmex.net

www.dalmex.net

General information

This spare parts list applies to the following:

Part number	Description
4812 0602 81	Trowel G905B
4812 0602 82	Trowel G906B
4812 0602 88	Trowel G926B
4812 0602 89	Trowel G929B

Use only authorized parts. Any damage or malfunction caused by the use of unauthorized parts is not covered by Warranty or Product Liability.

Any unauthorized use or copying of the contents or any part thereof is prohibited. This applies in particular to trademarks, model denominations, part numbers, and drawings.

Instructions for use

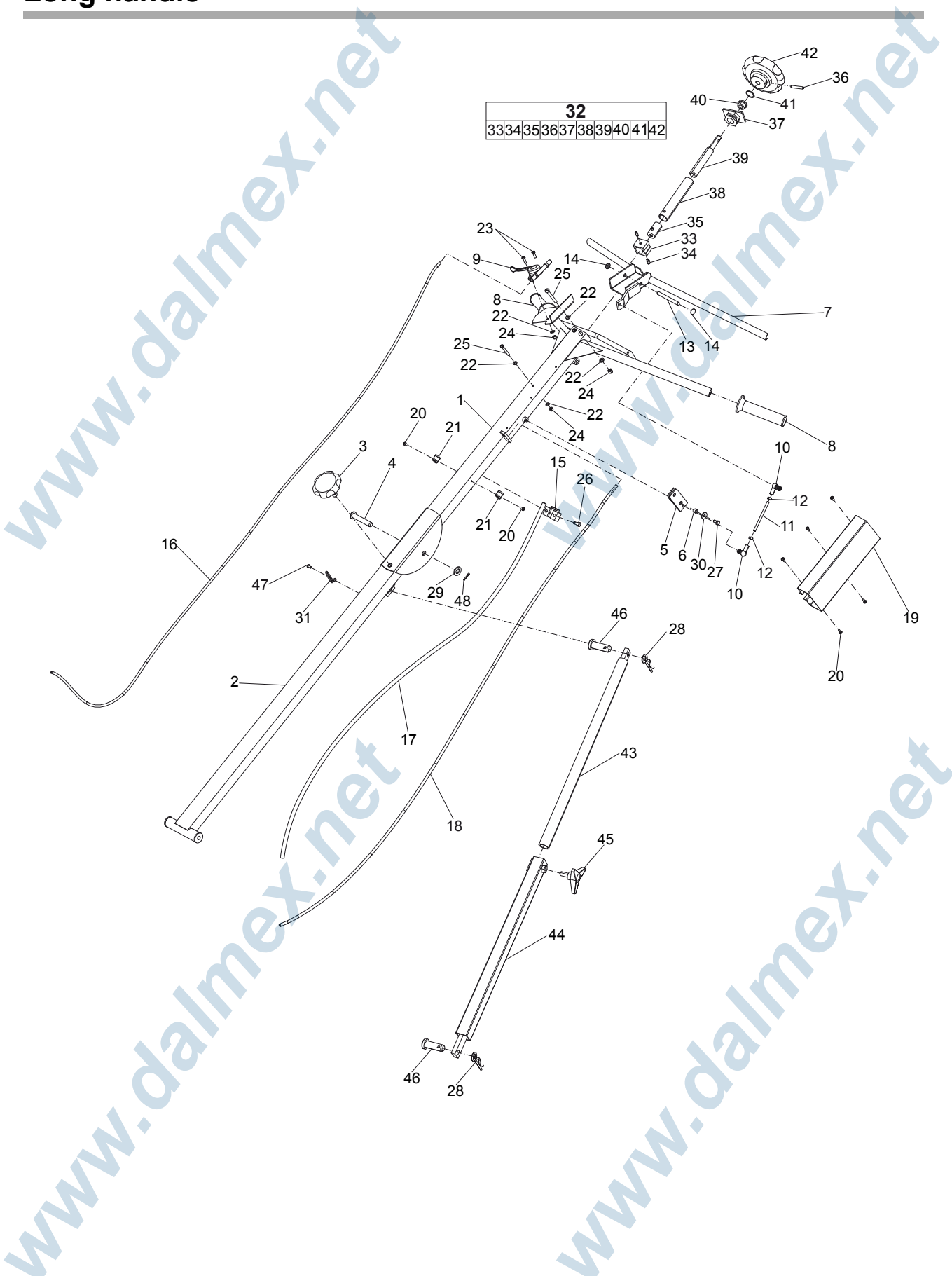
This spare parts list contains no safety regulations and is merely intended to assist in the ordering of spare parts.

For information about operating, servicing, or repairing, the relevant Safety and operating instructions must be consulted at all costs.

Please observe the safety instructions listed in the relevant Safety and operating instructions!

No.	Description	Remark	Quantity	Part number
1	Short handle		1	3382 0109 19
2	Rubber handle		2	4700 0012 13
3	Clutch handle		1	4700 0022 27
4	Throttle control		1	4700 0017 39
5	Wire console		1	3382 0110 54
6	Gas wire		1	4700 0478 69
7	Blade adjusting wire		1	4812 0601 96
8	Clutch wire		1	4700 0478 70
9	Handle holder		1	4700 3647 58
10	Handle		1	4700 3647 59
11	Screw	M5 x 30 mm A2K	1	-
12	Lock nut	M5 ISO7040	6	-
13	Screw	M5 x 16 mm A2K	2	-
14	Washer	5.0 x 1 mm 0.20 x 0.04 in.	8	-
15	Screw	M5 x 40 mm A2K	3	-
16	Pipe clamp		2	0346 1000 03
17	Tapping screw		2	0226 3343 89
18	Screw	M6 x 16 mm	2	-
19	Washer	8.0 x 1.6 mm 0.31 x 0.06 in.	1	-
20	Screw	M8 x 20 mm 8.8 A2K	1	-
21(22-31)	Blade adjuster, complete		1	3382 1000 61
22	Guiding		1	-
23	Stop screw	M5 x 12 mm	2	-
24	Wire lock		1	-
25	Roll pin	5 x 30 mm 0.20 x 1.18 in.	1	-
26	Bearing support		1	-
27	Adjusting nut		1	-
28	Adjusting screw		1	-
29	Flange bearing		1	-
30	Washer	10 x 2 mm 0.39 x 0.08 in.	1	-
31	Knob		1	-
32	Upper stay		1	4700 0472 10
33	Lower stay		1	3382 0109 17
34	Cross grip		1	4700 0462 89
35	Clevis pin	10 x 28 mm 0.39 x 1.10 in.	2	4700 0021 95
36	Locking clip		2	0111 1686 06

Long handle



No.	Description	Remark	Quantity	Part number
1	Long handle	upper part	1	3382 0109 15
2	Long handle	lower part	1	3382 0109 16
3	Knob		1	4700 0469 30
4	Clevis pin	12 x 70 mm 0.47 x 2.75 in.	1	4700 0023 92
5	Connection arm		1	4700 0475 00
6	Sleeve bearing		1	4700 0001 43
7	Safety grip		1	3382 0109 18
8	Rubber handle		2	4700 0012 13
9	Throttle control		1	4700 0017 39
10	Angular joint		2	4700 0021 88
11	Threaded pin		1	4700 0025 74
12	Nut	M6	2	-
13	Clevis pin	8 x 80 mm 0.31 x 3.15 in.	1	4700 0028 72
14	Locking washer		2	4700 0028 71
15	Wire console		1	3382 0110 54
16	Throttle wire		1	4700 0485 27
17	Blade adjusting wire		1	4812 0602 48
18	Clutch wire		1	4700 0483 57
19	Hood		1	3382 0109 20
20	Tapping screw		7	0226 3343 89
21	Pipe clamp		2	0346 1000 03
22	Washer	5 x 10 x 1 mm 0.20 x 0.39 x 0.04 in.	8	-
23	Screw	M5 x 16 mm	2	-
24	Lock nut	M5	5	-
25	Screw	M5 x 40 mm	3	-
26	Screw	M6 x 16 mm	2	-
27	Screw	M6 x 12 mm 8.8 A2K	1	-
28	Locking clip		2	0111 1686 06
29	Washer	13 x 2.5 mm 0.51 x 0.10 in.	1	-
30	Washer	6 x 1.6 mm 0.24 x 0.06 in.	1	-
31	Wire holder		1	4700 0464 31
32(33-42)	Blade adjuster, complete		1	3382 1000 61
33	Guiding		1	-
34	Stop screw	M5 x 12 mm	2	-
35	Wire lock		1	-
36	Roll pin	5 x 30 mm 0.20 x 1.18 in.	1	-
37	Bearing support		1	-
38	Adjusting nut		1	-
39	Adjusting screw		1	-
40	Flange bearing		1	-
41	Washer	10 x 2 mm 0.39 x 0.08 in.	1	-
42	Knob		1	-
43	Upper stay		1	4700 0472 10
44	Lower stay		1	3382 0109 17
45	Cross grip		1	4700 0462 89
46	Clevis pin	10 x 28 mm 0.39 x 1.10 in.	2	4700 0021 95
47	Tapping screw		1	0226 3139 03

No.	Description	Remark	Quantity	Part number
48	Split pin	3.2 x 20 mm	1	0111 1279 03

www.dalmex.net

www.dalmex.net

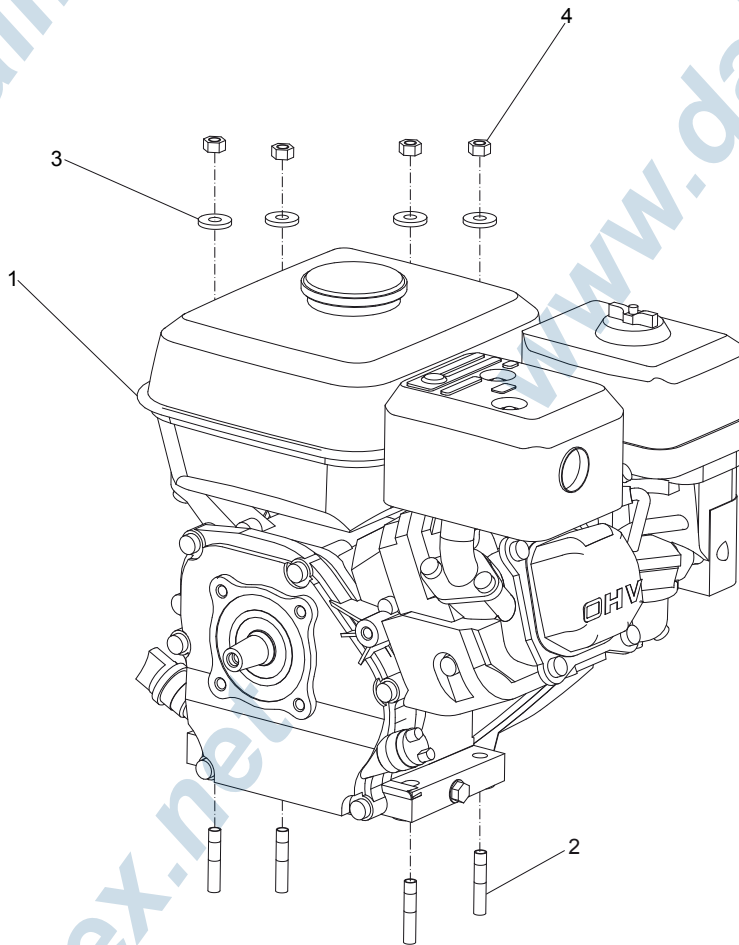
www.dalmex.net

www.dalmex.net

www.dalmex.net

www.dalmex.net

Engine installation, Honda GX 160

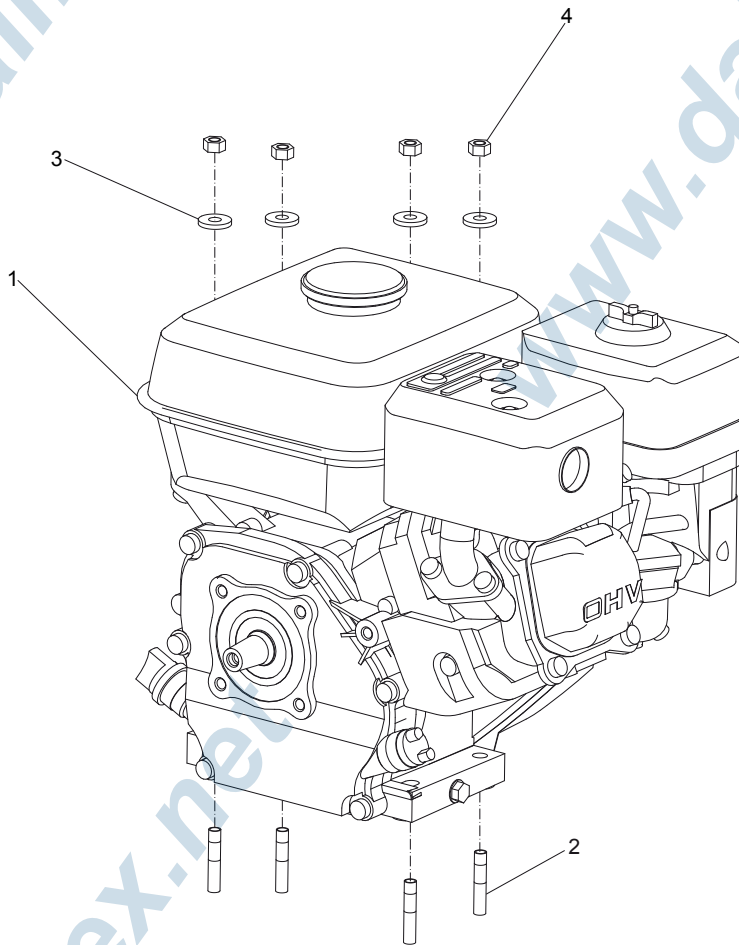


No.	Description	Remark	Quantity	Part number
1	Engine	Honda GX 160	1	3382 0108 42
2	Stud	M8 x 40 mm, LOCTITE® 243™	4	0248 9980 09
3	Washer	8.4 x 18 x 3 mm 0.33 x 0.71 x 0.12 in. 200-300 HV	4	-
4	Nut	M8	4	-

LOCTITE is a registered trademark of Henkel Corporation. 243 is a trademark of Henkel Corporation.

www.dalmex.net

Engine installation, Honda GX 200



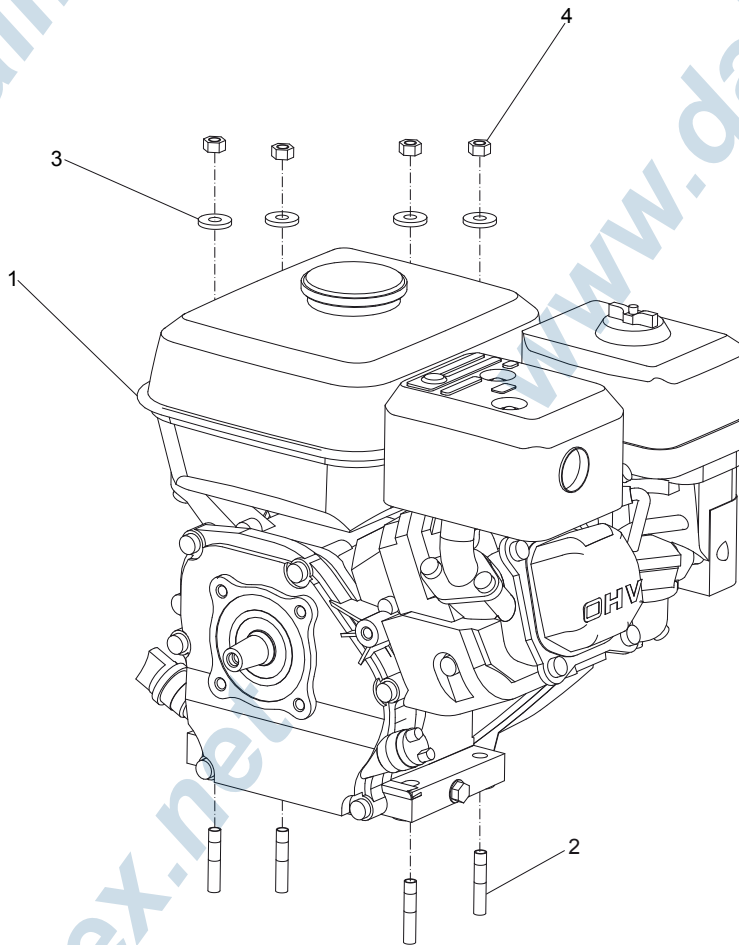
No.	Description	Remark	Quantity	Part number
1	Engine	Honda GX 200	1	3382 0108 43
2	Stud	M8 x 40 mm, LOCTITE® 243™	4	0248 9980 09
3	Washer	8.4 x 18 x 3 mm 0.33 x 0.71 x 0.12 in. 200-300 HV	4	-
4	Nut	M8	4	-

LOCTITE is a registered trademark of Henkel Corporation. 243 is a trademark of Henkel Corporation.

www.dalmex.net

www.dalmex.net

Engine installation, Honda GX 270



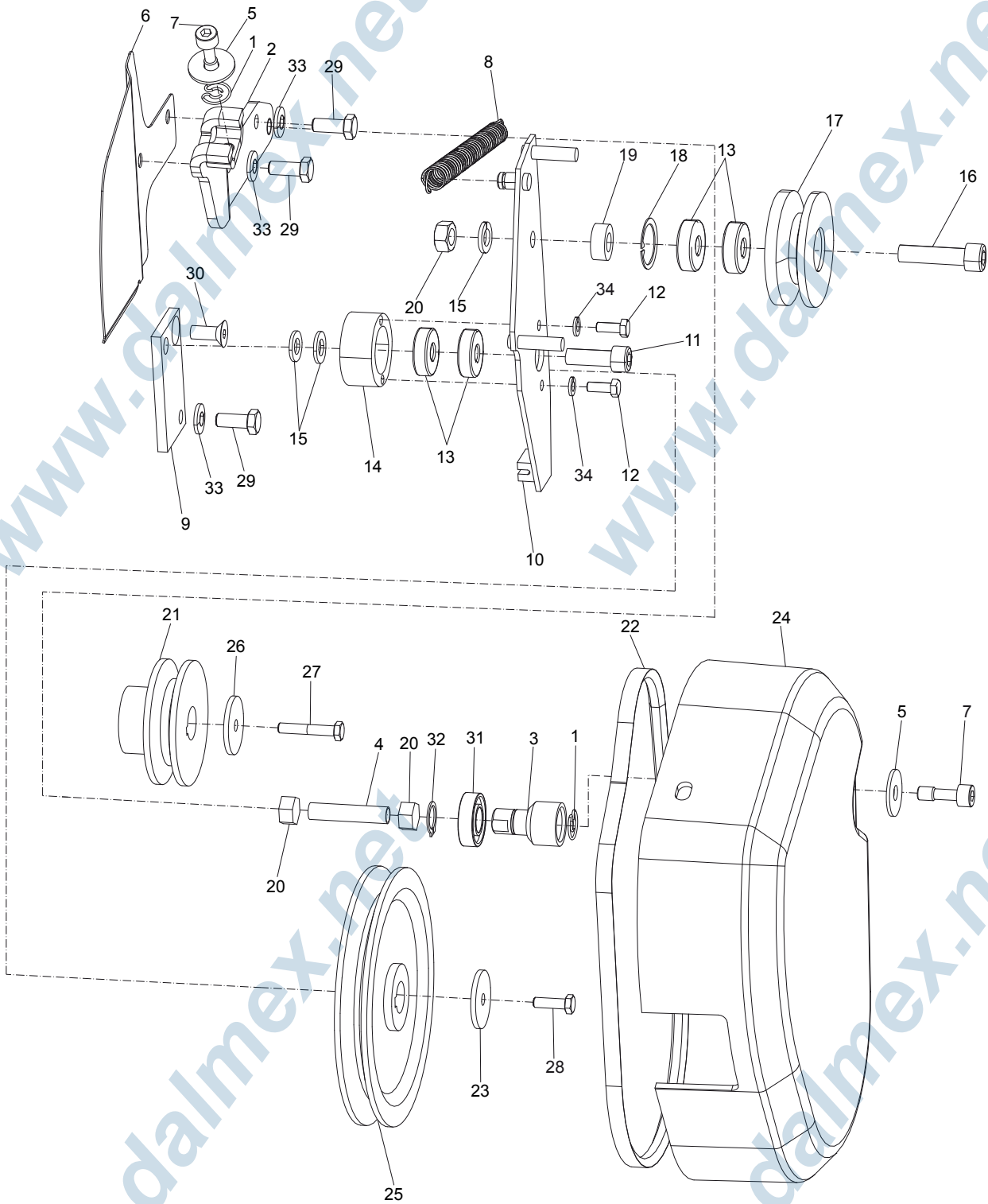
No.	Description	Remark	Quantity	Part number
1	Engine	Honda GX 270	1	3382 0108 44
2	Stud	M10 x 45 mm, Loctite® 243™	4	0248 9979 14
3	Washer	10.5 x 22 x 3 mm 0.41 x 0.87 x 0.12 in. 200-300 HV	4	-
4	Nut	M10	4	-

Loctite is a registered trademark of Henkel Corporation. 243 is a trademark of Henkel Corporation.

www.dalmex.net

www.dalmex.net

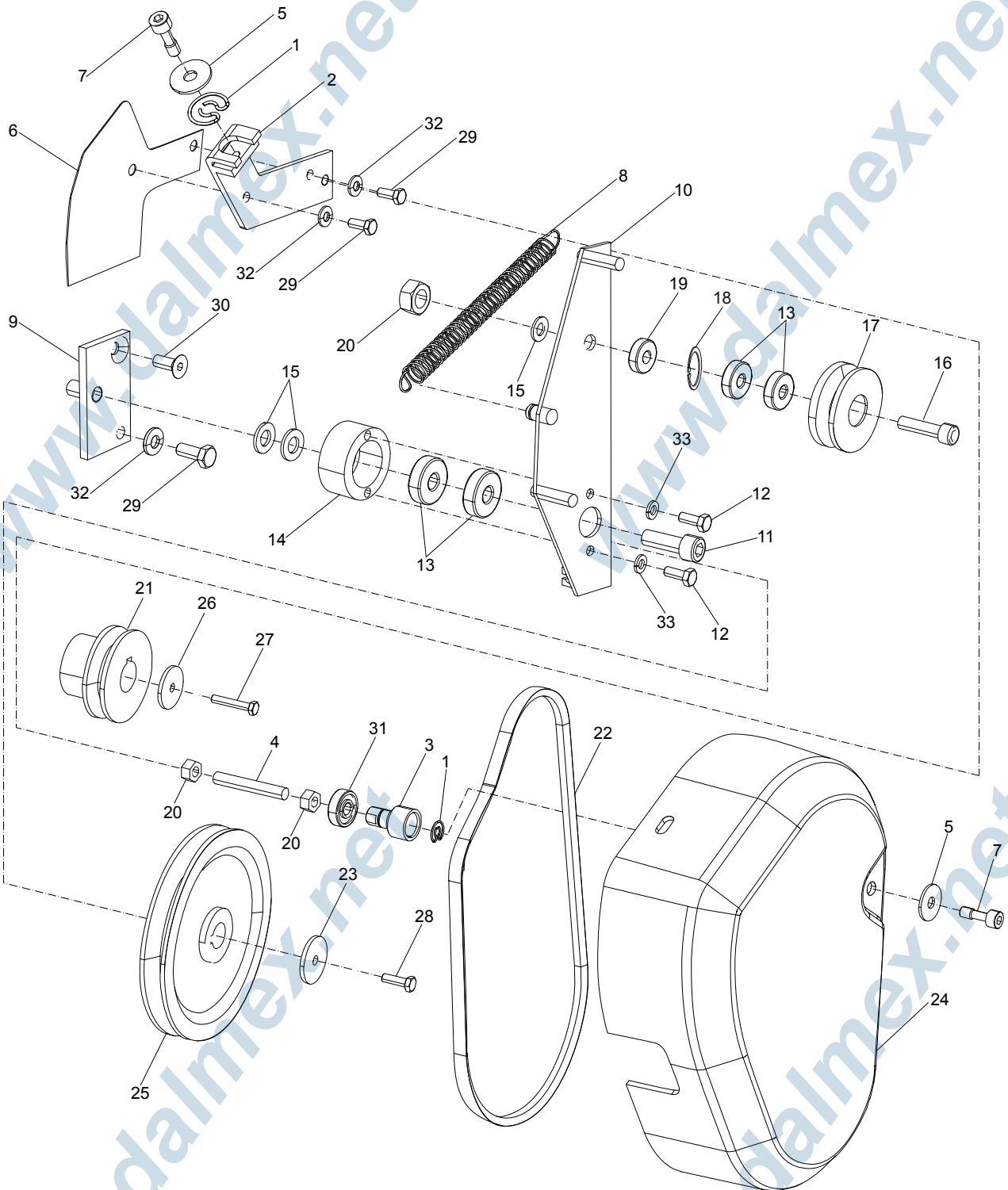
Power transmission, Honda GX 160, GX 200



No.	Description	Remark	Quantity	Part number
1	Lock spring		2	3382 0109 72
2	Cover bracket		1	3382 0105 68
3	Holder		1	4812 0602 74
4	Rod	M10 x 48 mm 8.8	1	4812 0603 02
5	Washer	8 x 30 mm 0.31 x 1.18 in.	2	-
6	Safety plate		1	3382 0105 69
7	Captive screw	M8 x 25 mm	2	4812 0602 78
8	Pull spring		1	4700 0478 71
9	Bracket		1	4700 0477 86
10	Belt tensioner		1	4700 0477 87
11	Cap screw	M10 x 30 mm 8.8	1	-
12	Screw	M6 x 20 mm 8.8	2	-
13	Ball bearing		4	4150 1905 00
14	Bearing housing		1	4700 0477 89
15	Washer	10 x 2 mm 0.39 x 0.08 in.	3	-
16	Cap screw	M10 x 40 mm 8.8	1	-
17	Pulley		1	4700 0477 90
18	Retaining ring		1	0335 2132 00
19	Spacer		1	3382 0107 53
20	Nut	M10	3	-
21	Pulley		1	4812 0601 94
22	Belt	M=s XPA 732 mm	1	4700 0028 08
23	Washer	6.5 x 30 x 4 mm 0.26 x 1.18 x 0.16 in. 300 HV	1	-
24	Belt cover		1	3382 0109 13
25	Belt wheel		1	4700 0326 29
26	Washer	8.5 x 35 x 4 mm 0.33 x 1.38 x 0.16 in. 300 HV	1	-
27	Screw	M8 x 35 mm 8.8, Use LOCTITE® 243™	1	-
28	Screw	M6 x 20 mm 8.8	1	-
29	Screw	M8 x 20 mm 8.8	3	-
30	Countersunk screw	M8 x 30 mm	1	-
31	Ball bearing		1	0502 1090 02
32	Retaining ring		1	0335 1117 00
33	Washer	8.1 x 2 mm 0.32 x 0.08 in.	3	-
34	Washer	6 x 1.6 mm 0.24 x 0.06 in.	2	-

LOCTITE is a registered trademark of Henkel Corporation. 243 is a trademark of Henkel Corporation.

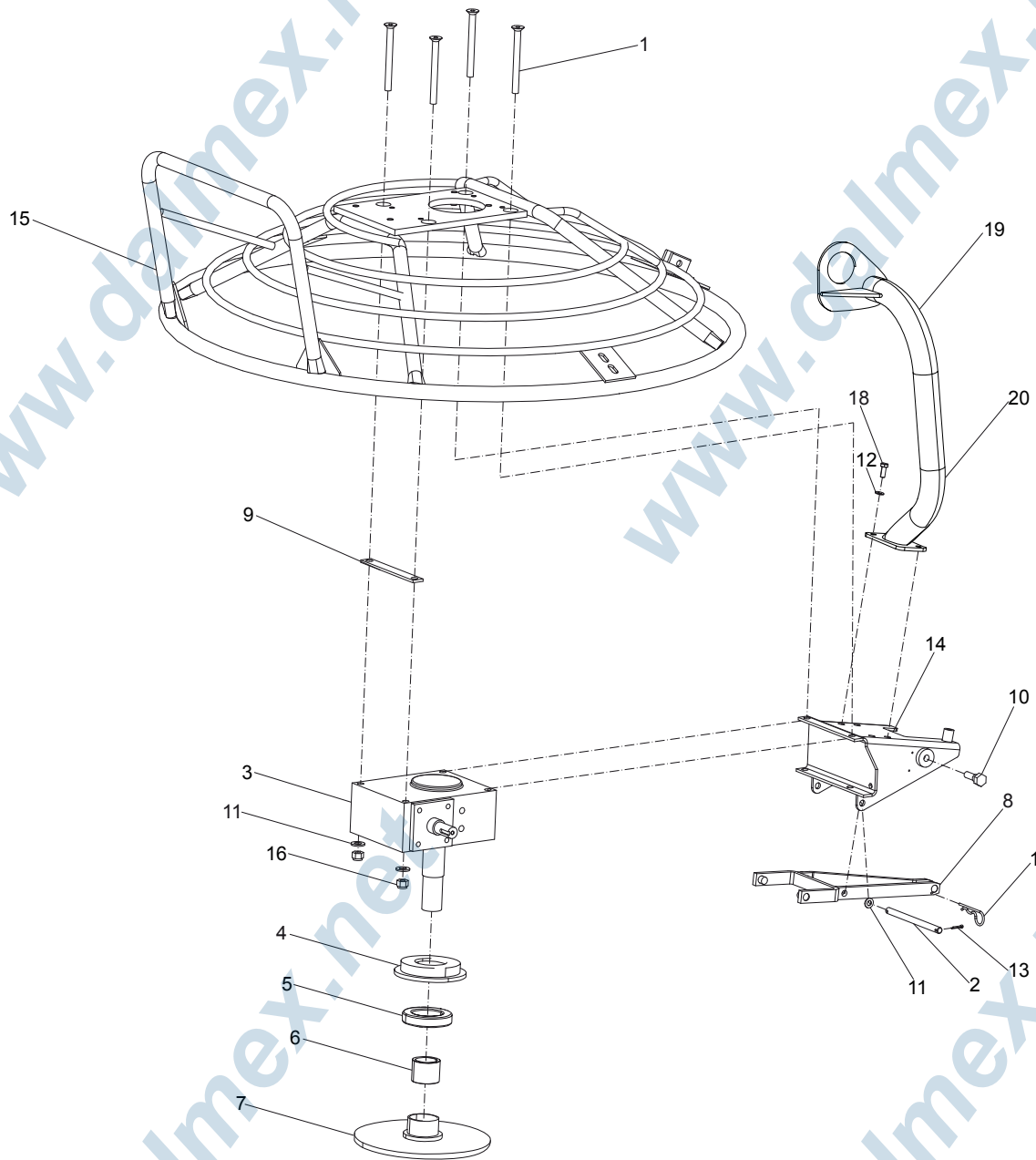
Power transmission, Honda GX 270



No.	Description	Remark	Quantity	Part number
1	Lock spring		2	3382 0109 72
2	Cover bracket		1	3382 0107 23
3	Holder		1	4812 0602 74
4	Rod	M10 x 68 mm 8.8	1	4812 0602 75
5	Washer	8 x 30 mm 0.31 x 1.18 in.	2	-
6	Safety plate		1	4812 0602 77
7	Captive screw	M8 x 25 mm	2	4812 0602 78
8	Pull spring		1	4700 0478 71
9	Bracket		1	4700 0480 77
10	Belt tensioner		1	4700 0479 73
11	Cap screw	M10 x 30 mm 8.8	1	-
12	Screw	M6 x 20 mm 8.8	2	-
13	Ball bearing		4	4150 1905 00
14	Bearing housing		1	4700 0477 89
15	Washer	10 x 2 mm 0.39 x 0.08 in.	3	-
16	Cap screw	M10 x 40 mm 8.8	1	-
17	Pulley		1	4700 0477 90
18	Retaining ring		1	0335 2132 00
19	Spacer		1	3382 0107 53
20	Nut	M10	3	-
21	Pulley		1	4812 0602 47
22	Belt	Optibelt super SPAX 782 mm	1	4700 0023 72
23	Washer	6.5 x 30 x 4 mm 0.26 x 1.18 x 0.16 in. 300 HV	1	-
24	Belt cover		1	3382 0109 14
25	Belt wheel		1	4700 0326 29
26	Washer	8.5 x 35 x 4 mm 0.33 x 1.38 x 0.16 in. 300 HV	1	-
27	Screw	M8 x 35 mm 8.8, Use LOCTITE® 243™	1	-
28	Screw	M6 x 20 mm 8.8	1	-
29	Screw	M8 x 20 mm 8.8	3	-
30	Countersunk screw	M8 x 30 mm	1	-
31	Ball bearing		1	4150 1905 00
32	Washer	8.1 x 2 mm 0.32 x 0.08 in.	3	-
33	Washer	6 x 1.6 mm 0.24 x 0.06 in.	2	-

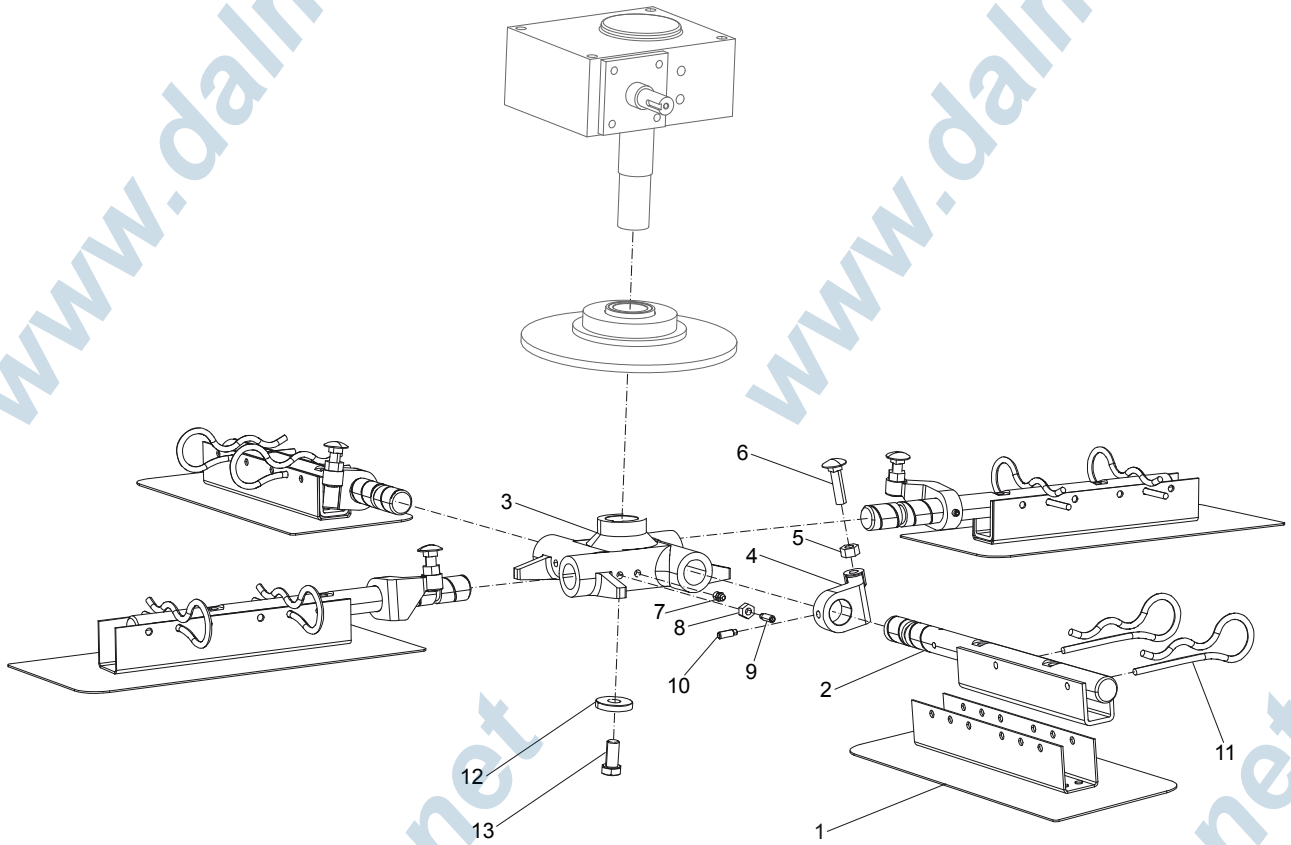
LOCTITE is a registered trademark of Henkel Corporation. 243 is a trademark of Henkel Corporation.

Chassi and gearbox



No.	Description	Remark	Quantity	Part number
1	Countersunk screw	M10 x 110 mm	4	4700 1865 73
2	Clevis pin		1	3382 0106 52
3	Gear box		1	4700 0022 23
4	Bearing plate		1	4700 0477 69
5	Ball bearing		1	4700 0001 15
6	Sleeve bearing		1	4700 0022 25
7	Pressure plate		1	4700 0326 32
8	Fork		1	4700 0328 01
9	Holder plate		1	3382 0105 57
10	Screw		2	4700 0483 68
11	Washer	10 x 2 mm 0.39 x 0.08 in.	6	-
12	Washer	8.0 x 1.6 mm 0.31 x 0.06 in.	3	-
13	Split pin	3.2 x 20 mm 0.13 x 0.79 in.	2	0111 1279 03
14	Handle bracket		1	3382 0109 11
15	Chassi		1	3382 0109 12
16	Lock nut	M10	4	-
17	Hair pin		1	0111 1686 07
18	Screw	M8 x 20 mm 8.8 A2K	3	-
19	Lifting eye	For Honda GX 160, 200	1	3382 0109 21
20	Lifting eye	For Honda GX 270	1	3382 0109 22

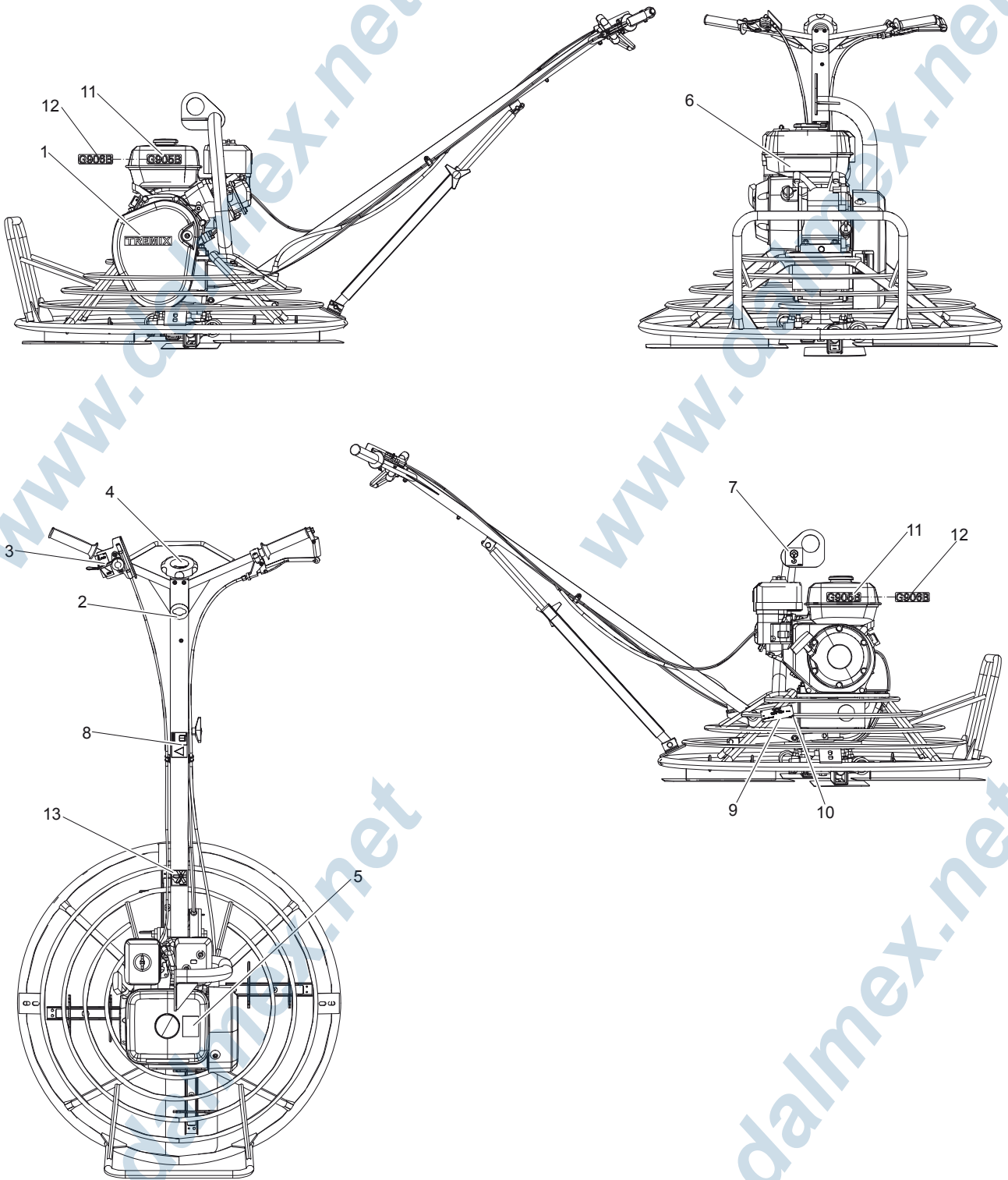
Blade assembly



No.	Description	Remark	Quantity	Part number
1	Towelling blade		4	-
2	Blade arm		4	4700 0220 64
3	Hub		1	4700 0320 65
4	Arm		4	4700 0462 49
5	Nut	M10 A3K	4	-
6	Carriage bolt	M10 x 40 mm 8.8	4	0253 3050 01
7	Grease nipple		4	0544 1100 09
8	Nut	M8 A2K	4	-
9	Stop screw	M8 x 20 mm	4	-
10	Stop screw	M8 x 16 mm, Use LOCTITE® 243™	4	-
11	Locking clip		8	0111 1686 09
12	Washer	12 x 36 x 6 mm 0.47 x 1.42 x 0.24 in.	1	-
13	Screw	M12 x 25 mm 8.8 A3K	1	-

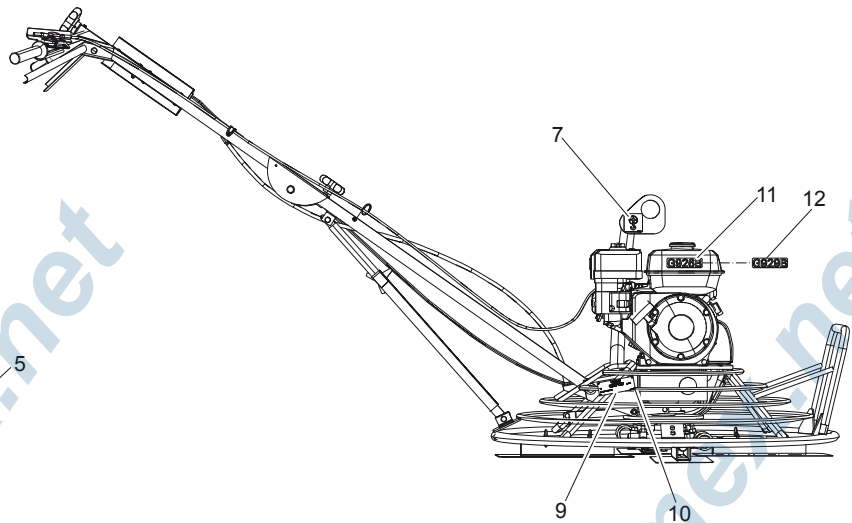
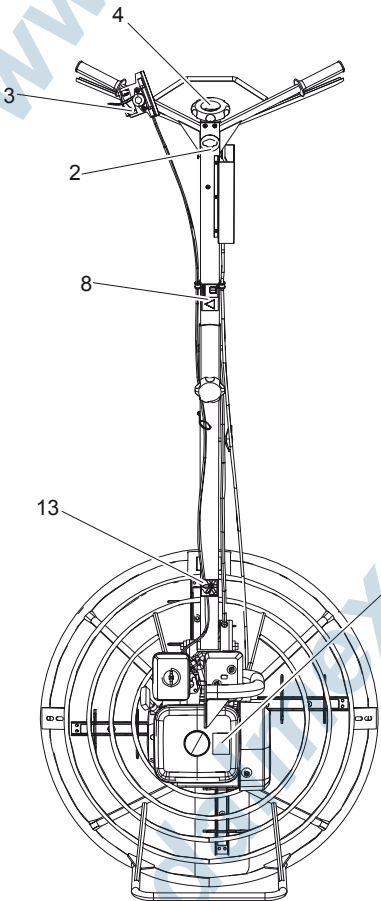
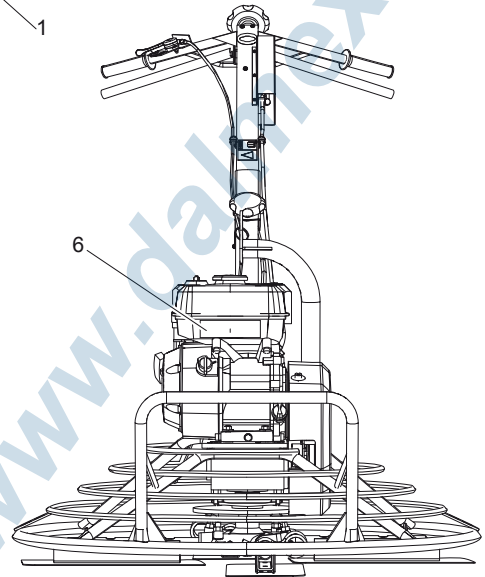
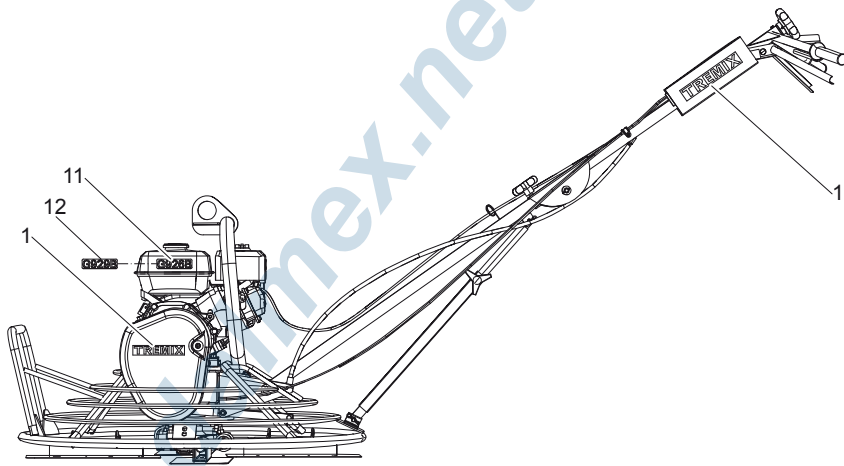
LOCTITE is a registered trademark of Henkel Corporation. 243 is a trademark of Henkel Corporation.

Labels, short handle



No.	Description	Remark	Quantity	Part number
1	Product label	"Tremix"	1	3382 0110 04
2	Label	Ear protection	1	3382 0109 00
3	Label	Stop - Run	1	4700 0467 58
4	Label	Increase - Decrease	1	4700 0459 02
5	Label	Tilted position	1	4700 0467 64
6	Label	Remove disc	1	4700 0462 39
7	Label	Lifting point	1	3382 0109 01
8	Safety label		1	3382 0108 99
9	Data plate		1	-
10	Drive screw		4	-
11	Product label	"G905B"	2	3382 0110 05
12	Product label	"G906B"	2	3382 0110 06
13	Label	Cutting hazards	1	3382 0109 02

Labels, long handle



No.	Description	Remark	Quantity	Part number
1	Product label	"Tremix"	2	3382 0110 04
2	Label	Ear protection	1	3382 0109 00
3	Label	Stop - Run	1	4700 0467 58
4	Label	Increase - Decrease	1	4700 0459 02
5	Label	Tilted position	1	4700 0467 64
6	Label	Remove disc	1	4700 0462 39
7	Label	Lifting point	1	3382 0109 01
8	Safety label		1	3382 0108 99
9	Data plate		1	-
10	Drive screw		4	-
11	Product label	"G926B"	2	3382 0110 07
12	Product label	"G929B"	2	3382 0110 08
13	Label	Cutting hazards	1	3382 0109 02

Accessories

Consumables

Description	Remark	Quantity	Part number
Floating disc	2.5 mm (0.10 in.), thick	1	4700 0319 37
Floating disc	3 mm (0.12 in.), thick	1	4700 0330 36
Floating blade	4 blades included	1	3382 1000 60
Trowel blade	Quick release, 4 blades included	1	4700 0022 55

www.dalmex.net

www.dalmex.net

Kits

Service kit, Honda GX 160

One year service kit

Part number 3382 1000 98

Description	Remark	Quantity	Part number
Air filter		1	4700 2393 23
Gasket	For oil dipstick	1	4700 2383 03
Starting rope		1	4700 2393 74
Spark plug		1	4700 9242 42
Gasket	For valve cover	1	4700 2383 01

Service kit, Honda GX 200

One year service kit

Part number 3382 1000 99

Description	Remark	Quantity	Part number
Air filter		1	4700 2390 64
Gasket	For oil dipstick	1	4700 2383 03
Starting rope		1	4700 2393 74
Spark plug		1	4700 2395 65
Gasket	For valve cover	1	4700 2383 01

Service kit, Honda GX 270

One year service kit

Part number 3382 1001 00

Description	Remark	Quantity	Part number
Air filter		1	4700 9374 99
Gasket	For oil dipstick	1	4700 2383 03
Starting rope		1	4700 2393 74
Spark plug		1	4700 9242 42
Gasket	For valve cover	1	3382 1000 22

Maintenance kit, Honda GX 160 and 200, short handle

Description	Remark	Quantity	Part number
Maintenance kit		1	3382 1000 11
V-belt	M=s XPA 732 mm	1	4700 0028 08
Throttle wire		1	4700 0478 69
Clutch wire		1	4700 0478 70
Blade adjusting wire		1	4812 0601 96

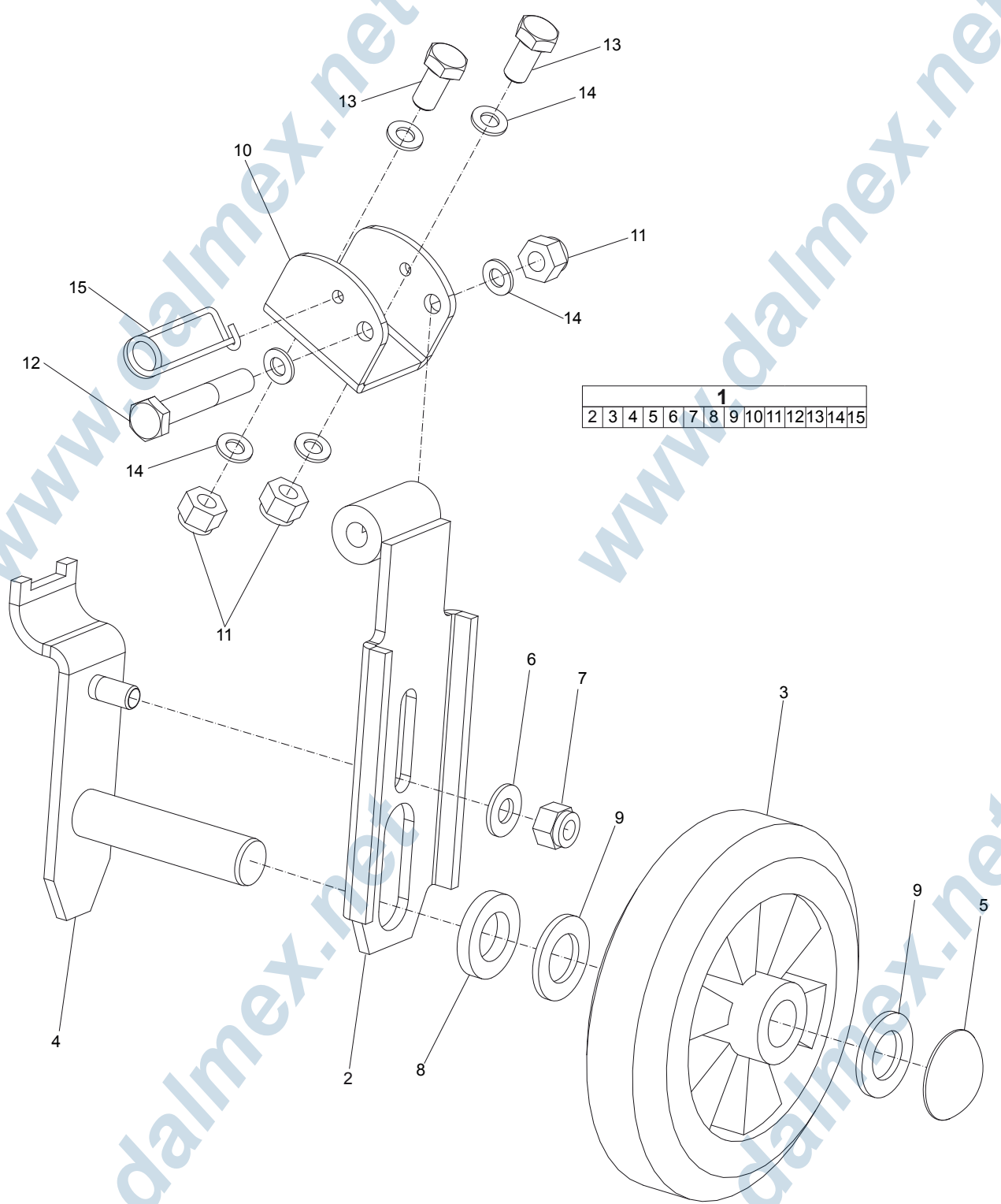
Maintenance kit, Honda GX 200, long handle

Description	Remark	Quantity	Part number
Maintenance kit		1	3382 1000 12
V-belt	M=s XPA 732 mm	1	4700 0028 08
Throttle wire		1	4700 0485 27
Clutch wire		1	4700 0483 57
Blade adjusting wire		1	4812 0602 48

Maintenance kit, Honda GX 270, long handle

Description	Remark	Quantity	Part number
Maintenance kit		1	3382 1000 13
V-belt	Optibelt super SPAX 782 mm	1	4700 0023 72
Throttle wire		1	4700 0485 27
Clutch wire		1	4700 0483 57
Blade adjusting wire		1	4812 0602 48

Transport device kit



No.	Description	Remark	Quantity	Part number
1(2-15)	Transport device kit		1	3382 0105 73
2	Arm		2	4812 0601 73
3	Wheel		2	4700 0017 55
4	Bracket		2	3382 0106 71
5	Locking washer		2	4700 0019 50

No.	Description	Remark	Quantity	Part number
6	Washer	10.5 x 22 x 2 mm 0.41 x 0.87 x 0.08 in. 300 HV	2	-
7	Lock nut	M10	2	-
8	Washer	21 x 36 x 6 mm 300 HV 0.83 x 1.42 x 0.24 in. 300 HV	2	-
9	Washer	21 x 36 x 3 mm 300 HV 0.83 x 1.42 x 0.12 in. 300 HV	4	-
10	Attachment		2	4812 0601 71
11	Lock nut	M10	6	-
12	Screw	M10 x 70 mm 8.8 A3K	2	-
13	Screw	M10 x 25 mm 8.8 A3K	4	-
14	Washer	10 x 2 mm 0.39 x 0.08 in.	12	-
15	Hair pin		2	3382 0108 65

Bolt on blade kit

Description	Remark	Quantity	Part number
Bolt on blade kit		1	3382 1000 59
Trowel blade		4	-
Bolt	UNC $\frac{5}{16}$ x 2 $\frac{1}{4}$ in.	8	-



DALMEX

TREMIX®

www.dalmex.net

www.dalmex.net

www.dalmex.net

www.dalmex.net



DALMEX

TREMIX®

www.dalmex.net

www.dalmex.net

www.dalmex.net

www.dalmex.net

Any unauthorized use or copying of the contents or any part thereof is prohibited.
This applies in particular to trademarks, model denominations, part numbers, and drawings.

No. 9800 1304 01 | 2011-11-16

TREMIX®

www.dalmex.net